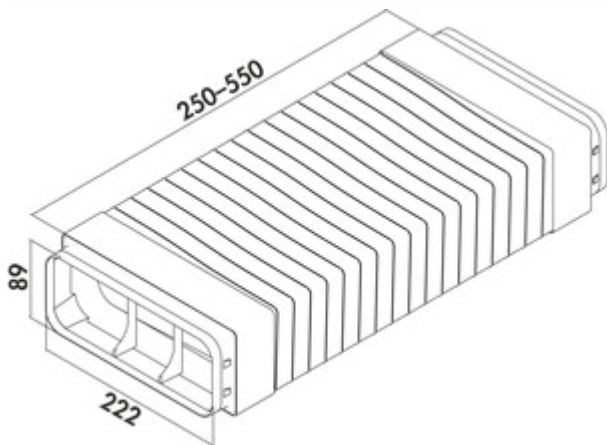


PRIME flow P-RBFLEX system 150 pipe bend with flexi-duct



Product number: 4051009
 Configuration: light grey

Configuration options
 4051009 | light grey



- ✓ Connecting element
- ✓ N-click system with integrated latching elements
- N-Klick system for secure connection with the universal connector
- for deflections up to 90°
- significantly reduced flow resistance compared to flexible hoses
- to maintain optimum flow performance: use of deflectors with flexi-duct only in exceptional cases if there is no other technical solution.
- length 250–550 mm
- Make sure that the flexi-duct is laid firmly and smoothly!

[more infos...](#)

Technical data

Article type	Connecting element	Mounting/Fixing	N-click system with integrated latching elements
Brand	PRIME flow	Note	Pay attention to the even-walled, tight laying of the flexi duct!
Height	89 mm	Suitable for	for deflections up to 90°
Width	250 mm	System dimension	150
Material	PVC	Output drive	angular
Properties	flexible	Ventilation system	COMPAIR PRIME flow®

Accessories

4051004	P-UVB 150 universal connector, Connecting element, light grey
---------	---

