

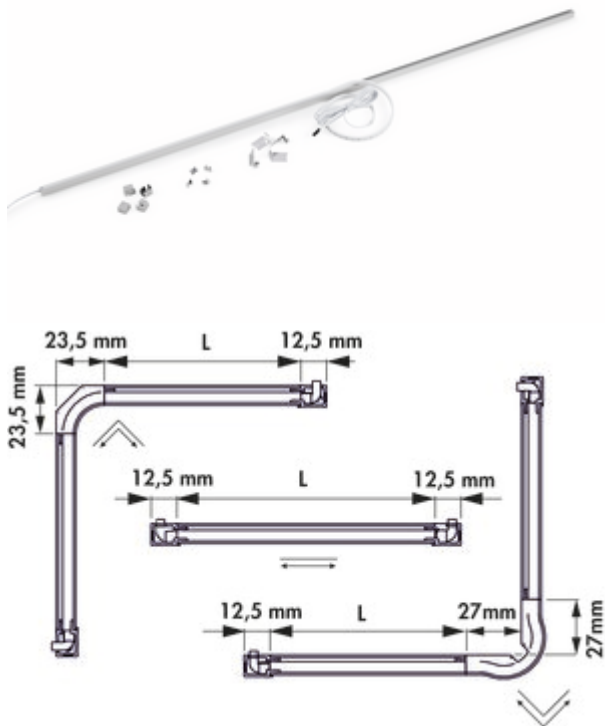
Andy colour change LED

Product number: 7063418

Configuration: L 2600 mm, stainless steel coloured

Configuration options

- 7063400 | L 1000 mm, stainless steel coloured
- 7063401 | L 1000 mm, black
- 7063402 | L 2000 mm, stainless steel coloured
- 7063403 | L 2000 mm, black
- 7063415 | L 2600 mm, black
- 7063418 | L 2600 mm, stainless steel coloured



- ✓ Handle strip lighting
- ✓ 2700 K warm white to 6500 K cold white
- ✓ straight

Handle bar lighting. Aluminium housing with plastic corners. LED strip moulded in silicone, not self-adhesive, can be shortened every 21 mm. Illumination without visible LED points incl. retaining clips for handle mouldings.

Single light

- 6.5 watts per metre, 12 V
- continuous adjustment of light colour from 2700 K warm white to 6500 K cool white
- max. 80 lumen/watt at 6500 K cool white
- LED strip, feed on both sides
- 2000 mm supply cable on both sides
- incl. 4 end caps (2 x left, 2 x right)
- incl. 8 clips (2 x 4 pieces)

This product contains a light source of energy efficiency class G.



[more infos...](#)

Technical data

Article type	Luminaire	More parts	incl. holding clamps incl. 4 end caps incl. 8 clips (2 x 4 pieces)
Warranty	2-year Naber warranty (except for wear parts); the general warranty conditions of Naber GmbH apply.	Colour temperature	2700 K warm white to 6500 K cold white
Width	2.600 mm	Colour temperature adjustable	stepless
Energy efficiency class	G	Illuminant type	LED
Material housing	aluminium	Light yield	max. 80 lumen/watt at 6500 K cold white
Certification	CE MM sign F-sign	Connection	On both sides
Shortenability	may be shortened every 21 mm	Homogeneous light field without visible LED points	Yes
Shape	straight	Design	Handle strip lighting
Length of the supply line (primary)	2.000 mm	Power per metre	6.5 watt/meter

Accessories

7063412	Andy aluminium profile, Accessory, L 2600 mm, stainless steel coloured
7063413	Andy aluminium profile, Accessory, L 2600 mm, black
7063414	Andy bande LED changements de couleurs, Accessory, L 2600 mm, 16 W/12 V
7063408	Andy bande LED changements de couleurs, Accessory, L 2000 mm, 13 W/12 V
7063410	Andy end caps, Accessory, stainless steel coloured
7063411	Andy end caps, Accessory, black
7063406	Andy internal corners, Accessory, stainless steel coloured
7063407	Andy internal corners, , black
7063404	Andy exterior angle, Accessory, stainless steel coloured
7063405	Andy exterior angle, Accessory, black
7061403	MEC Driver LED converter, 60/72 W, 12/24 V
7061426	MEC Driver LED 1-channel module radio/ZigBee, Accessory, 12 V
7061428	MEC Driver LED 4-channel module radio/ZigBee, Accessory, 12 V
7061431	MEC Driver LED remote control 1+4 channel ZigBee, white
7063409	Andy mounting clips, Accessory,