

## Duplex E double socket

Product number: 7054001

Configuration: round, with earthed plug sockets, stainless steel

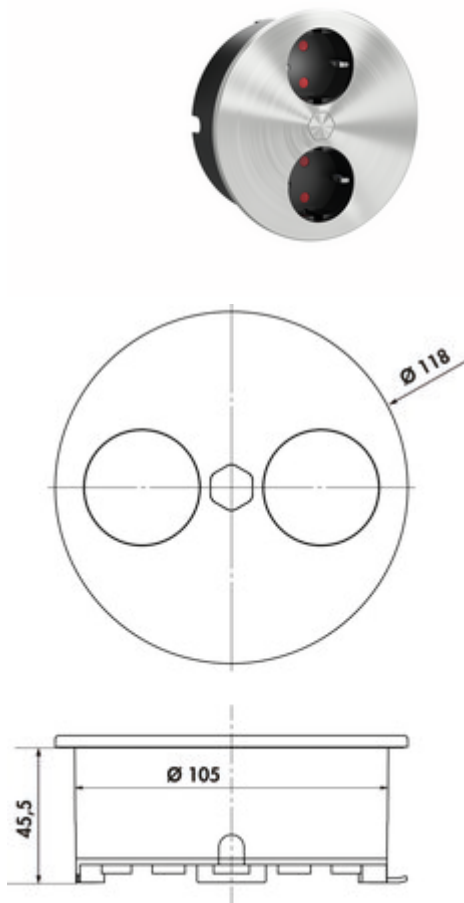
### Configuration options

- 7054001 | round, with earthed plug sockets, stainless steel
- 7054003 | square, with earthed plug sockets, stainless steel
- 7054005 | square, with earthed plug sockets, black matt
- 7054008 | round, with earthed plug sockets, black matt

- ✓ Built-in socket element
- ✓ 2 x earthed plug socket
- ✓ round

Socket element. Double. Electric opening at the push of a button.

- 3680 watt/16 A, 250 VAC, IP20
- H05VV-F 3G 1.5 mm<sup>2</sup>
- 3-pole with earthing contact
- 2000 mm mains connection line with earthing contact plug
- drill Ø 105 mm
- installation depth approx. 48 mm
- increased contact protection
- space-saving cable routing (downwards or side cable outlet)
- simple and quick installation
- retrofitting possible
- integrated water drain



[more infos...](#)

### Technical data

|                                     |                                    |                                        |                                   |
|-------------------------------------|------------------------------------|----------------------------------------|-----------------------------------|
| Article type                        | Socket element                     | Version sockets                        | 2 x earthed plug socket           |
| Drilling diameter                   | 105 mm                             | Colour bezel                           | Stainless steel                   |
| Mains voltage                       | 250 VAC                            | Colour socket                          | black                             |
| Protection class                    | IP20                               | Cover/blind type                       | Electric                          |
| Cable outlet                        | cable outlet on the side or bottom | Integrated water drain                 | Yes                               |
| Max. connected load                 | 3680 watt                          | Type of socket element                 | Built-in socket element           |
| Mounting/Fixing                     | in the worktop installation        | Conductor cross-section                | 1,5 mm <sup>2</sup>               |
| Note                                | can be retrofitted                 | Rated current                          | 16 A                              |
| Further                             | 3-pole with earthing contact       | Wiring                                 | bared<br>3-wire with free ends    |
| Certification                       | CE<br>TÜV                          | Number of sockets (total)              | 2                                 |
| Shape                               | round                              | Opening mechanism                      | Push & Pull                       |
| Length of the supply line (primary) | 2.000 mm                           | Touch protection ("child safety lock") | with increased contact protection |
| Installation depth                  | 48 mm                              |                                        |                                   |

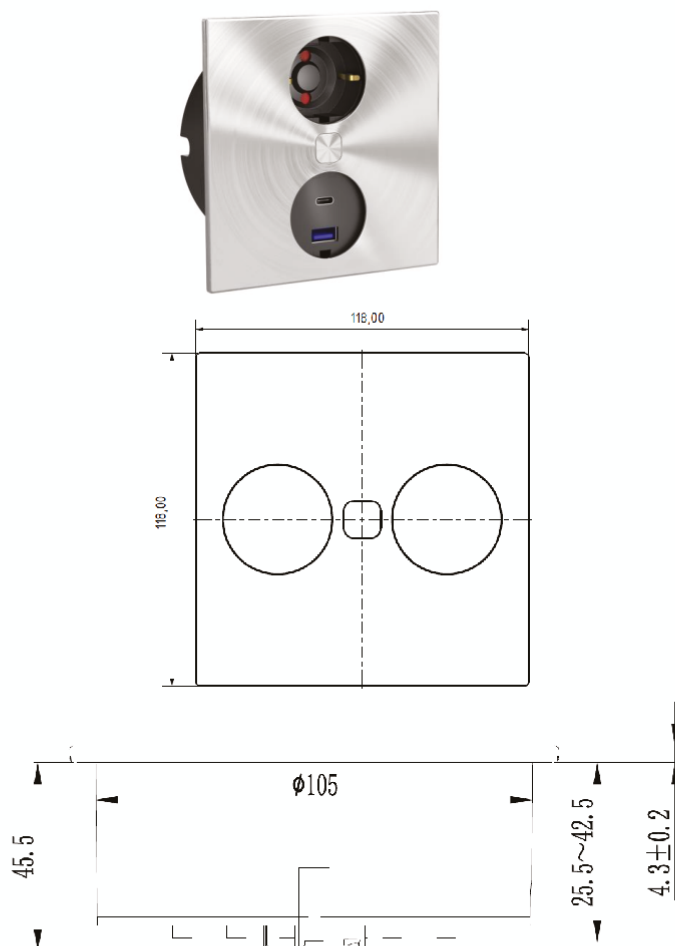
### Accessories

|         |                                          |
|---------|------------------------------------------|
| 7053024 | Hole saw, Ø 105 mm, for Twist and Duplex |
|---------|------------------------------------------|

## Installation dimensions (PDF)

## DUPLEX-Q

1x CEE 7/3; 1x USB-Charger Type A; 1x USB-Charger Type C  
 2,0m H05VV-F AEH / ferrules; Schutzkontaktstecker/ mounting plug


  
 ...inspiriert!


### Technische Daten / technical data

|                                      |                                                         |
|--------------------------------------|---------------------------------------------------------|
| Gehäuse / housing:                   | Kunststoff, schwarz / plastic in black color            |
| Abdeckung / cover:                   | Edelstahl / stainless steel                             |
| Bohrdurchmesser / Drilling diameter: | 105 mm                                                  |
| Einbautiefe / installation depth:    | 45,5 mm                                                 |
| Einbau / installation:               | von oben montierbar / top mounting                      |
| CEE 7/3:                             | Steckereinführhilfe im Steckdosentopf / plug insert aid |
| USB-Charger Type A:                  | 5,0 V 2,1 A                                             |
| USB-Charger Type C:                  | 5,0 V 3,0 A                                             |

Enschedeestr. 24 - 48529 Nordhorn - Tel.: +49 5921 704-0 - Fax: +49 5921 704-140 - Internet: [www.naber.com](http://www.naber.com)