



AEG under-sink device Small U5

Product number: 6011044

Configuration: white

Configuration options

6011044 | white

- ✓ Hot water tank
- ✓ pressure-free (open)
- ✓ low pressure

Storage water heater.

— **installation depth only 155 mm**

— small water heater 5 litres, white. Open (pressure-free).

— container material in plastic

— compact insulation

— continuous temperature setting of 30–85 °C

— mixed water volume 40 °C 7.5 l

— the outlet of a faucet should always be free

— only use special flow regulators for pressure-free hot water storage heaters

— do not use a hose to extend the outlet of the faucet

— avoid using shower faucets where possible to prevent back pressure

— with earthing contact plug and wall mounting strip

— safety temperature limiter can be reset by pulling the mains plug

— contact/moisture protection IP24

— power supply 230 V, 50 Hz, 10 A

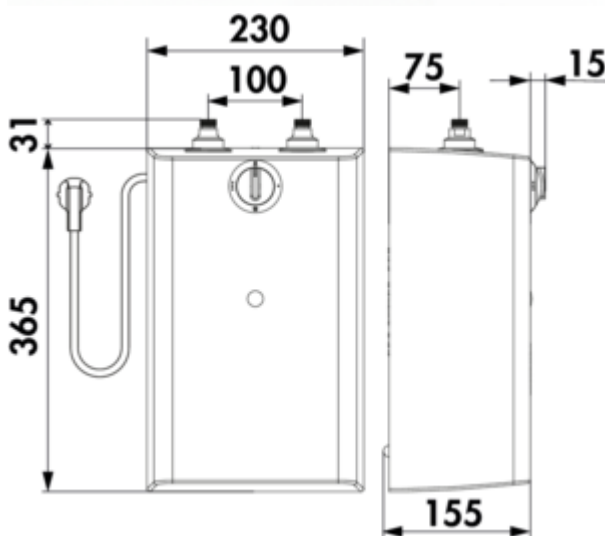
— ready to plug in, connected load 2 kW

— weight with water 7.4 kg

— device dimensions 365 x 230 x 155 mm (H x W x D)

— **maximum water pressure 4 bar**

— **max. water flow 5 l / min.**



[more infos...](#)

Technical data

Article type	Hot water tank	Thermal insulation	compact insulation
Height	365 mm	Operating mode	Cable
Flow rate	5 l/min	Certification	CE TÜV GS
Operating pressure	low pressure	Current	10 A
Width	230 mm	Temperature setting	continuous temperature setting of 30–85 °C
Material	plastic	Max. water pressure	4 bar
Energy efficiency class	A	Print type	pressure-free (open)
Mains voltage	230 V	Weight with water filling	16,314188 lb
Protection class	IP24	With earthing contact plug	Yes
Plug type	Angle plug	Under-sink unit version	with earthing contact plug and wall mounting strip
Note	ready to plug in, connected load 2 kW the outlet of a faucet should always be free if possible, do not use a shower fitting	Mixed water quantity	40 °C 7.5 l
Further	safety temperature limiter can be reset by pulling the mains plug	Volume/Content	5 l