



## Under-sink device Small U5

Product number: 6011044

Configuration: white

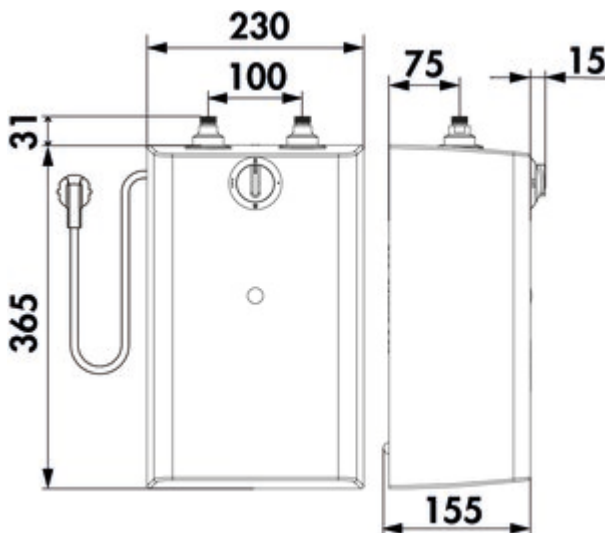
### Configuration options

6011044 | white

- ✓ Hot water tank
- ✓ pressure-free (Open)
- ✓ low pressure

Storage water heater.

- installation depth only 155 mm
- small water heater 5 litres, white. Open (pressure-free).
- container material in plastic
- compact insulation
- continuous temperature setting of 30–85 °C
- mixed water volume 40 °C 7.5 l
- the outlet of a faucet should always be free
- if possible, do not use a shower fitting
- with earthing contact plug and wall mounting strip
- safety temperature limiter can be reset by pulling the mains plug
- contact/moisture protection IP24
- power supply 230 V, 50 Hz, 10 A
- ready to plug in, connected load 2 kW
- weight with water 7.4 kg
- device dimensions 365 x 230 x 155 mm (H x W x D)
- maximum water pressure 4 bar
- max. water flow 5 l / min.



[more infos...](#)

### Technical data

Article type	Hot water tank	Operating mode	Cable
Flow rate	5 l/min	Certification	CE TÜV GS
Operating pressure	low pressure	Current	10 A
Width	230 mm	Temperature setting	continuous temperature setting of 30–85 °C
Material	plastic	Max. water pressure	4 bar
Energy efficiency class	A	Print type	pressure-free (Open)
Mains voltage	230 V	Weight with water filling	16,314188 lb
Protection class	IP24	With earthing contact plug	Yes
Plug type	Angle plug	Under-sink unit version	Resettable safety temperature limiter
Note	ready to plug in, connected load 2 kW the outlet of a faucet should always be free if possible, do not use a shower fitting	Mixed water quantity	40 °C 7.5 l
Further	safety temperature limiter can be reset by pulling the mains plug	Volume/Content	5 l
Thermal insulation	compact insulation		

## Accessories

6011045	Flow meter, Measuring equipment, red
---------	--------------------------------------