



PickUP E

Product number: 1091003

Configuration: nero

Configuration options

1091001 | white glossy

1091002 | slate

1091003 | nero

1091004 | lava

1091005 | white matt

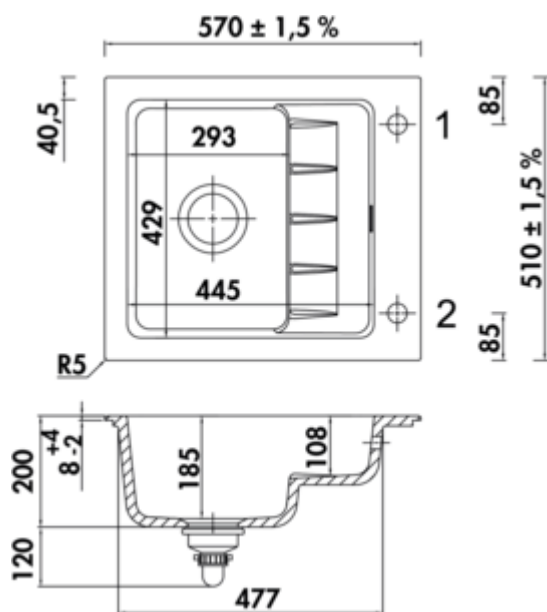
- ✓ Built-in sink
- ✓ ceramic
- ✓ Eccentric set, chrome-plated

Built-in sink. Ceramic, single bowl with second level, reversible, 3½" basket strainer valve flush with premium rotational excenter fitting, chromed, drill hole 1+2 drilled through.

— suitable for worktop thicknesses from 30 mm

— cut-out approx. 540 x 480 mm, R 5 mm

Design by Hans Winkler Design, Grafenau.



[more infos...](#)

Technical data

Article type	Sink	Height main sink	185 mm
Height	320 mm	Depth main sink	429 mm
Width	570 mm	Flushing radius (R)	5
Material	ceramic	Material thickness worktop minimum	30 mm
Designer	Design by Hans Winkler Design, Grafenau.	Number of tap holes	1
Note	we recommend using a faucet with pull-out spout or shower head	Armature bench	Yes
Cabinet width	600 mm	Number of holes	2
Cut-out dimension	approx. 540 x 480 mm, R 5 mm	Arrangement sinks	Reversible
Excenter fitting	Eccentric set, chrome-plated	Number of sinks	1 main sink
Valve type	3½" basket strainer valve flush	Number of overflow points	1
Overflow	Overflow in the main basin	Draining board	With integrated drainer
Installation variant	Built-in sink	Garnish actuation	Chrome-plated rotary eccentric
Main sink width	293 mm		

Spare Parts

1091027	Premium rotational excenter, Accessory, nero
---------	----------------------------------------------

Recommendations

5011252	Arco 2, Sink faucet, chrome, high pressure
1091027	Premium rotational excenter, Accessory, nero
1091036	Premium rotational excenter, Accessory, chrome
1091037	Premium rotational excenter, Accessory, stainless steel

Dimensional sketch (PDF)

