

Corno Piu PFU3

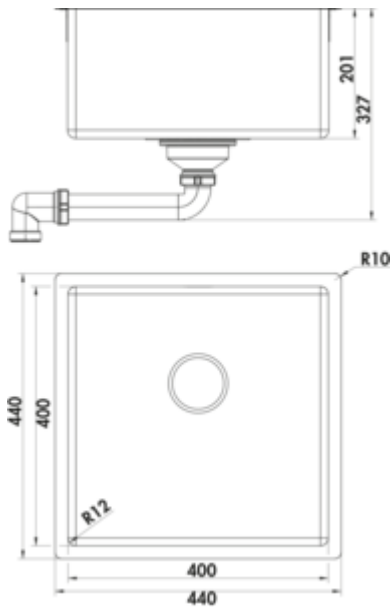
Product number: 1013123

Configuration: stainless steel

Configuration options

1013123 | stainless steel

1041134 | set (sink and Mio 3 faucet)



- ✓ Built-in sink
- ✓ Flush mounted sink
- ✓ Sub-structure bowl

Built-in/sub-structure sink. Single bowl. 3½" drain and spill-over fitting with basket strainer valve flush with the bottom. When using the mounting brackets supplied, the installation width required increases by approx. 30 mm per side in case of the sub-structure sink.

Flat edge: also suitable for flush installation

— suitable for worktop thicknesses from 10–40 mm (built-in sink) and 20 mm (sub-structure sink)

— cut-out dimensions ca. 430 x 430 mm (built-in sink)

— cut-out dimensions ca. 400 x 400 mm (substructure sink)



[more infos...](#)

Technical data

Article type	Sink	Main sink width	400 mm
Height	327 mm	Height main sink	201 mm
Width	440 mm	Depth main sink	400 mm
Material	stainless steel	Flushing radius (R)	10
Note	when using the mounting brackets supplied, the installation width required increases by approx. 30 mm per side in case of the sub-structure sink	Maximum worktop material thickness	40 mm
Cabinet width	500 mm	Material thickness worktop minimum	10 mm
Cut-out dimension	approx. 430 x 430 mm (built-in sink) approx. 400 x 400 mm (substructure sink)	Armature bench	No
Worktop thickness	The sinks are suitable for worktop thicknesses from 10–40 mm (built-in sink) and from 20 mm (sub-structure sink)	Number of sinks	1 main sink
Excenter fitting	Drain and spill-over fitting	Number of overflow points	1
Valve type	3 1/2" flush bottom strainer basket valve	Sound insulation	Yes
Overflow	Overflow in the main basin	Pelvic inner radius (R)	12
Installation variant	Built-in sink Flush mounted sink Sub-structure bowl		

Spare Parts

1010048	Drain and spillover valve, Accessory, 3½", for Corno Piu PFU 1–5
---------	--

Recommendations

5011308	Mio 3, Sink faucet, chrome, high-pressure
1111141	Stainless steel system care, Cleaning agent,
1111142	Stainless steel cleaning agent Utral, Cleaning agent, 250 ml
1111143	Stainless steel care agent Edelglanz, Cleaning agent, 250 ml

