

E-Jal flow 125 external blind

Product number: 4033015
Configuration: stainless steel

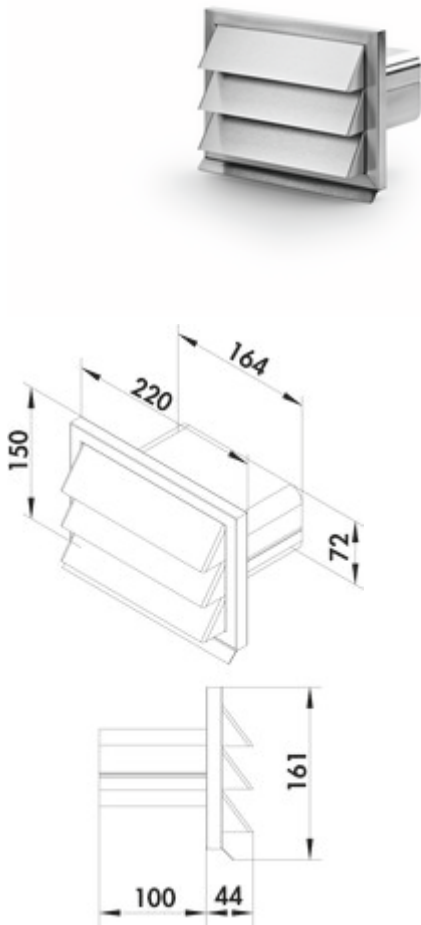
Configuration options

4033015 | stainless steel

- ✓ External blind
- ✓ Plug-in system for subsequent gluing

210 x 140 mm with backpressure shutter for connection 169 x 77 mm to COMPAIR® flow 125.

— connector depth 90 mm



[more infos...](#)

Technical data

Article type	External blind	Support depth	90 mm
Width	210 mm	Connection diameter	125 mm
Material	stainless steel	Blind version	with backpressure shutter
Mounting/Fixing	Plug-in system for subsequent gluing	System dimension	125
Certification	stainless	Output drive	angular
Shape	angular	Ventilation system	COMPAIR flow 125

