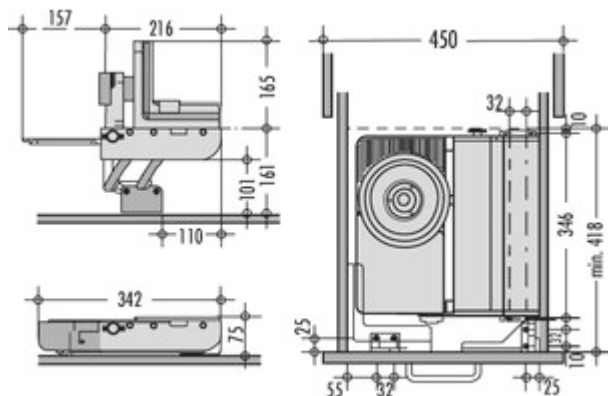


ritter multi-cutter model AES 62



Product number: 1111051

Configuration: silver-metallic, cuttings guided on the left

Configuration options

1111051 | silver-metallic, cuttings guided on the left

1111062 | silver-metallic, cuttings guided on the right

- ✓ Electric slicer
- ✓ serrated
- ✓ fold-in lock when slicethickness set

For installation in drawers from 450 mm cabinet width. Prerequisite: clear internal dimension: >344 mm. Stands in front of the worktop. Distance from drawer bottom to upper worktop edge: min. 116 mm, max. 161 mm.

— drive: high-performance energy-saving motor 230 V, 65 watt, safety-brief and continuous operation switch, short-time operation 5 minutes

— metal design

— round blade: polished blade Ø 170 mm, with serrated edge

— cutting width adjustment: up to approx. 14 mm

— fold-in lock when slicethickness set

— stand fitting locks automatically

— cable length 80 cm

— 75 x 342 x 365 mm (H x W x D), weight: 4.1 kg

— accessories: cuttings tray made of stainless steel, fixing bracket for finger protection and left-overs holder

— 5 years manufacturer's warranty <https://www.ritterwerk.de/garantie>



more infos...

Technical data

Article type	Electric slicer	Safety functions	fold-in lock when slicethickness set set-up fitting locks automatically
Width	342 mm	Material drip tray	stainless steel
Material	metal	Cut thickness	14 mm
Mains voltage	230 V	Diameter knife	170 mm
Power	65 watts	Cutting material	cuttings guided on the left
Drive	high-performance energy-saving motor 230 V, 65 watt, safety, brief and continuous operation switch, short-time operation 5 minutes	Cut type knife	serrated
Operating mode	Cable	More parts	cuttings tray fixing bracket for finger protection and left-overs holder

Accessories

1111058	Ham and cold cuts knife, Accessory, smooth
---------	--