

E-Jal HK flow 125 external blind

Product number: 4022017
Configuration: stainless steel

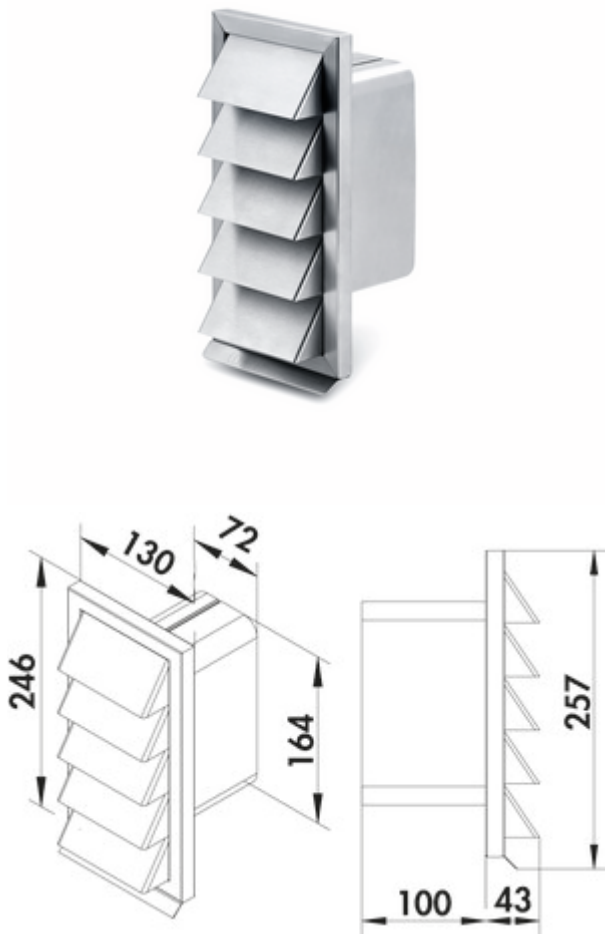
Configuration options

4022017 | stainless steel

- ✓ External blind
- ✓ surface mounting

130 x 250 mm with back pressure flap for connection 169 x 77 mm to COMPAIR® flow 125.

— connection piece depth 100 mm



[more infos...](#)

Technical data

Article type	External blind	Outer diameter	125 mm
Width	130 mm	Support depth	100 mm
Material	stainless steel	Blind version	with backpressure shutter
Mounting/Fixing	surface mounting	System dimension	125
Certification	stainless	Output drive	angular
Suitable for	COMPAIR® flow 125	Ventilation system	COMPAIR flow 125
Shape	angular		

