

MF-EST 125 end piece



Product number: 4033014

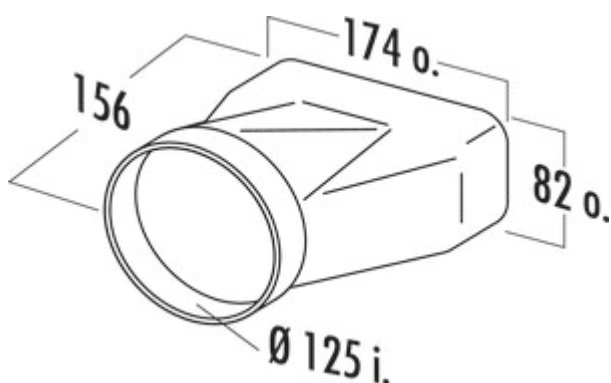
Configuration: white

Configuration options

4033014 | white

- ✓ Connecting element
- ✓ Plug-in system for subsequent gluing

With integrated sleeve for direct transition from flat to round (wall penetration).



[more infos...](#)

Technical data

Article type	Connecting element	System dimension	125
Material	Polystyrene	Output drive	angular round
Mounting/Fixing	Plug-in system for subsequent gluing	Ventilation system	COMPAIR flow 125
Connection diameter	125 mm		

