

Korfu 2



Product number: 3021178
 Configuration: stainless steel coloured, H 170 mm

Configuration options

3021178 | stainless steel coloured, H 170 mm

✓ Console

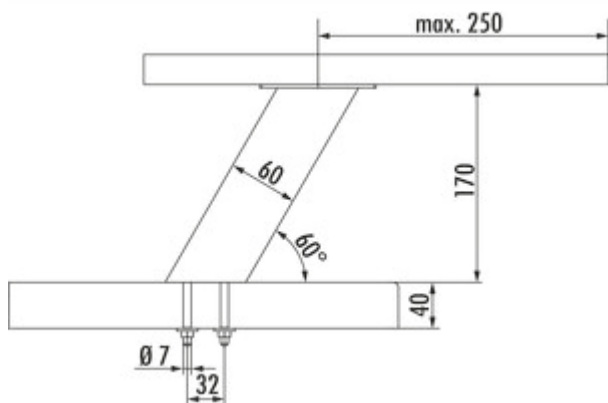
✓ slanted

Console.

— slanted

— elegant design 60 x 10 mm

— max. load per pair approx. 60 kg given even distribution, max. spacing of the consoles of 900 mm and max. projection of the plates of 250 mm



[more infos...](#)

Technical data

Article type	Console	With mounting plate	Yes
Width	60 mm	Carrying capacity	max. load per pair approx. 60 kg given even distribution, max. spacing of the consoles of 900 mm and max. projection of the plates of 250 mm
Note	When using the glass adapter disk (3021176) bonding should be performed by a glazier.		
Shape	angular	Support element version	slanted

Accessories

3021176	Glass adapter disk, Accessory, stainless steel, Ø 50 mm
---------	---

Dimensional sketch (PDF)

