

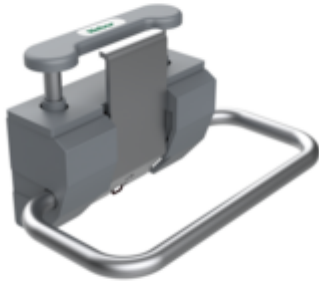
## Cox Cick®

Product number: 8012367

Configuration: dark grey/chrome matt

### Configuration options

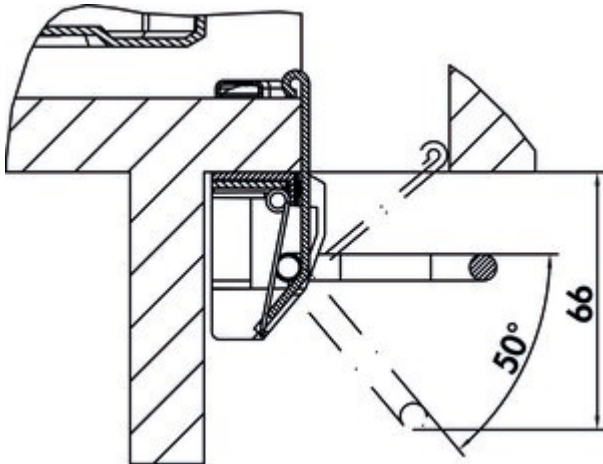
8012367 | dark grey/chrome matt



### ✓ Accessory

Cox Cick® is a manual foot pedal that enables effortless access to the Cox® Base and Cox Clan® waste collectors. Thanks to the ergonomically pleasantly designed pedal position, the waste system opens completely with little force. After operation, the opening mechanism automatically returns to its original position with the aid of a spring. In this way, near-silent operation is guaranteed when opening and closing. The assembly is simple and quick due to two moulded lugs with position fixing. The necessary drilling points are easily found by means of a plastic assembly aid.

- bracket projection on 16 gauge front 34 mm
- bracket projection on 19 gauge front 31 mm



### Technical data

Article type	Accessory
Width	116,8 mm
Mounting/Fixing	cabinet bottom

### more infos...

Further	The assembly is simple and quick due to two moulded lugs with position fixing the necessary drilling points are easily found by means of a plastic assembly aid bracket projection on 16 gauge front 34 mm, bracket projection on 19 gauge front 31 mm
Suitable for	for Cox® Base waste collectors
Design	Ejectors for front pull-outs

Installation dimensions (PDF)

