

## Standard S8

Product number: 1016108  
Configuration: stainless steel

### Configuration options

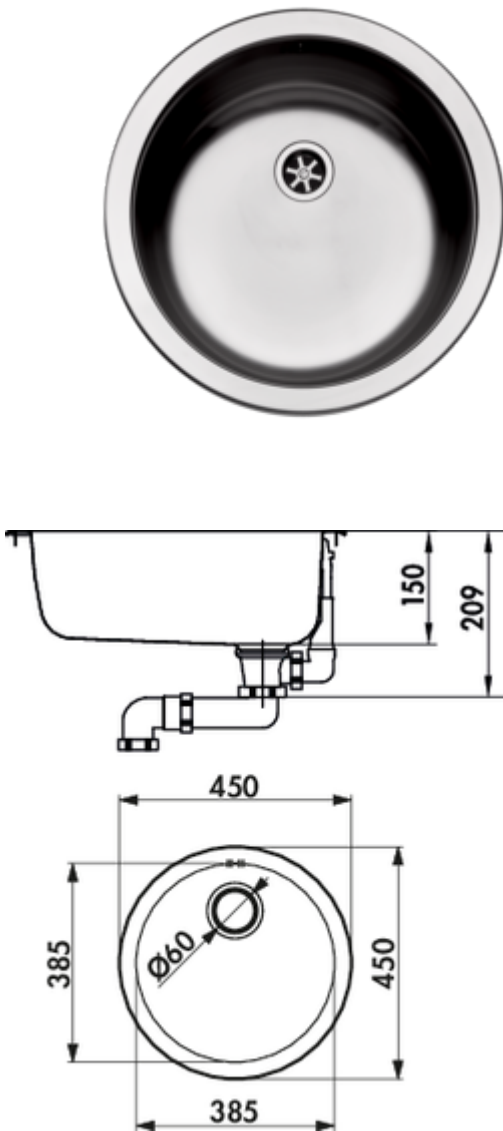
1016108 | stainless steel

- ✓ Built-in sink
- ✓ 1½" drain and spillover valve
- ✓ Plug valve

Built-in sink. Single round bowl. 1½" drain and spillover fittings.

— suitable for worktop thicknesses from 30 mm to 40 mm

— cut-out dimensions as per template



[more infos...](#)

### Technical data

Article type	Sink	Installation variant	Built-in sink
Height	209 mm	Main sink width	385 mm
Width	450 mm	Height main sink	150 mm
Material	stainless steel	Depth main sink	385 mm
Cabinet width	450 mm	Maximum worktop material thickness	40 mm
Cut-out dimension	according to template	Material thickness worktop minimum	30 mm
Worktop thickness	30–40 mm	Armature bench	No
Excenter fitting	1½" drain and spillover valve	Number of sinks	1 main sink
Valve type	Plug valve	Number of overflow points	1
Overflow	Overflow in the main basin		

### Spare Parts

1016058	Drain and spillover valve, Accessory, 1½", for Standard S1, S2 und S8
---------	---

### Recommendations

1111141	Stainless steel system care, Cleaning agent,
1111142	Stainless steel cleaning agent Utral, Cleaning agent, 250 ml
1111143	Stainless steel care agent Edelglanz, Cleaning agent, 250 ml