

F-VBS 150 pipe bend connector

Product number: 4040021

Configuration: white

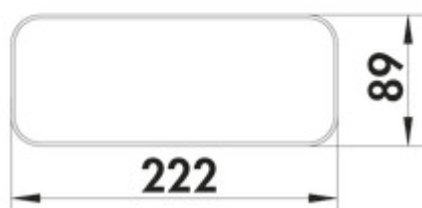
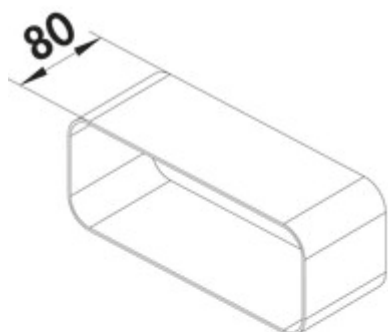
Configuration options

4040021 | white

✓ Exhaust air accessorie

For connecting two flat duct bends. (Not suitable for connecting flat ducts).

— length 80 mm



[more infos...](#)

Technical data

Article type	Exhaust air accessorie	Shape	angular
Height	89 mm	Connection diameter	150 mm
Width	80 mm	System dimension	150
Material	PVC	Output drive	angular
Note	Not suitable for connecting flat ducts	Ventilation system	COMPAIR flow 150

