



Capitello 4

Product number: 3021089

Configuration: stainless steel, H 180 mm, tube Ø 45 mm

Configuration options

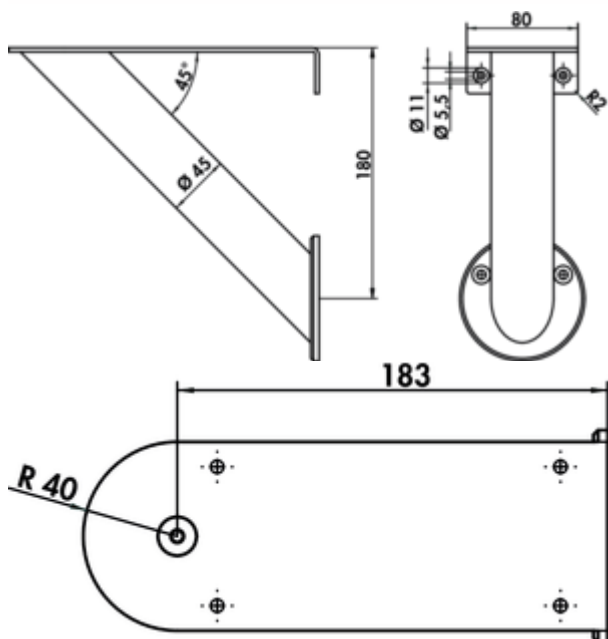
3021089 | stainless steel, H 180 mm, tube Ø 45 mm

- ✓ Console
- ✓ Material: stainless steel
- ✓ round

Console. With mounting plate.

— slanted

— max. load per pair approx. 60 kg given even distribution, max. spacing of the consoles of 900 mm and max. projection of the plates of 250 mm



[more infos...](#)

Technical data

Article type	Console	Carrying capacity	max. load per pair approx. 60 kg given even distribution, max. spacing of the consoles of 900 mm and max. projection of the plates of 250 mm
Height	180 mm	Inclination angle	45°
Material	stainless steel	Tube dimension	Ø 45 mm
Shape	round	Support element version	slanted
With mounting plate	Yes		

