

## LIC Home Base Module

Product number: 7061288

Configuration: white

### Configuration options

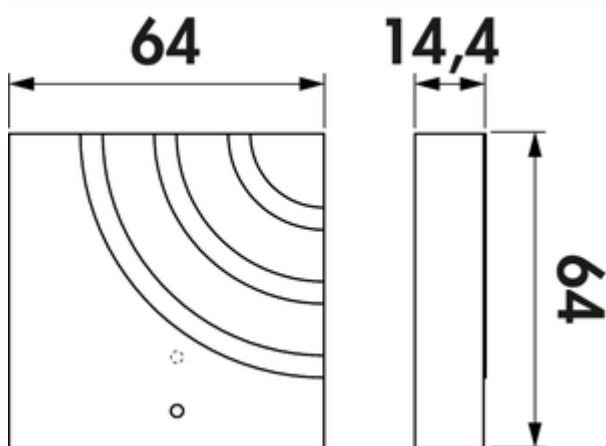
7061288 | white

- ✓ System component
- ✓ 1.000 mm
- ✓ 230 VAC / 5 V

As gateway, the LIC Home Base Module enables the connection of LUMICA<sup>®</sup> FW function converters to smart home networks.

### Requirements for operation

- existing Zigbee<sup>®</sup> Bridge (we recommend the Philips HUE Bridge)
- existing light control of the Lumica FW function converter series
- control via voice input, app or remote control
- voice control in combination with a Zigbee<sup>®</sup> Bridge and a smart speaker (e.g. Amazon Echo, Google Assistant, not compatible with Apple HomeKit)
- up to 4 luminaire groups can be controlled
- Existing light controls of the LUMICA<sup>®</sup> FW function converters series can be easily retrofitted.
- a 1-channel or 4-channel remote control is essential for training
- 230 VAC, 5 V
- 2.4 GHz
- 1000 mm supply cable with plug-in power supply unit



[more infos...](#)

### Technical data

Article type	System component	Shape	square
Height	14,4 mm	Length of the supply line (primary)	1.000 mm
Width	64 mm	Number of operable luminaire groups	4
Mains voltage	230 VAC / 5 V	Replaceable illuminant	No
Smarthome	Google Home Amazon Alexa		