

Korfu 3

Product number: 3021191

Configuration: stainless steel coloured, H 220 mm

Configuration options

3021191 | stainless steel coloured, H 220 mm

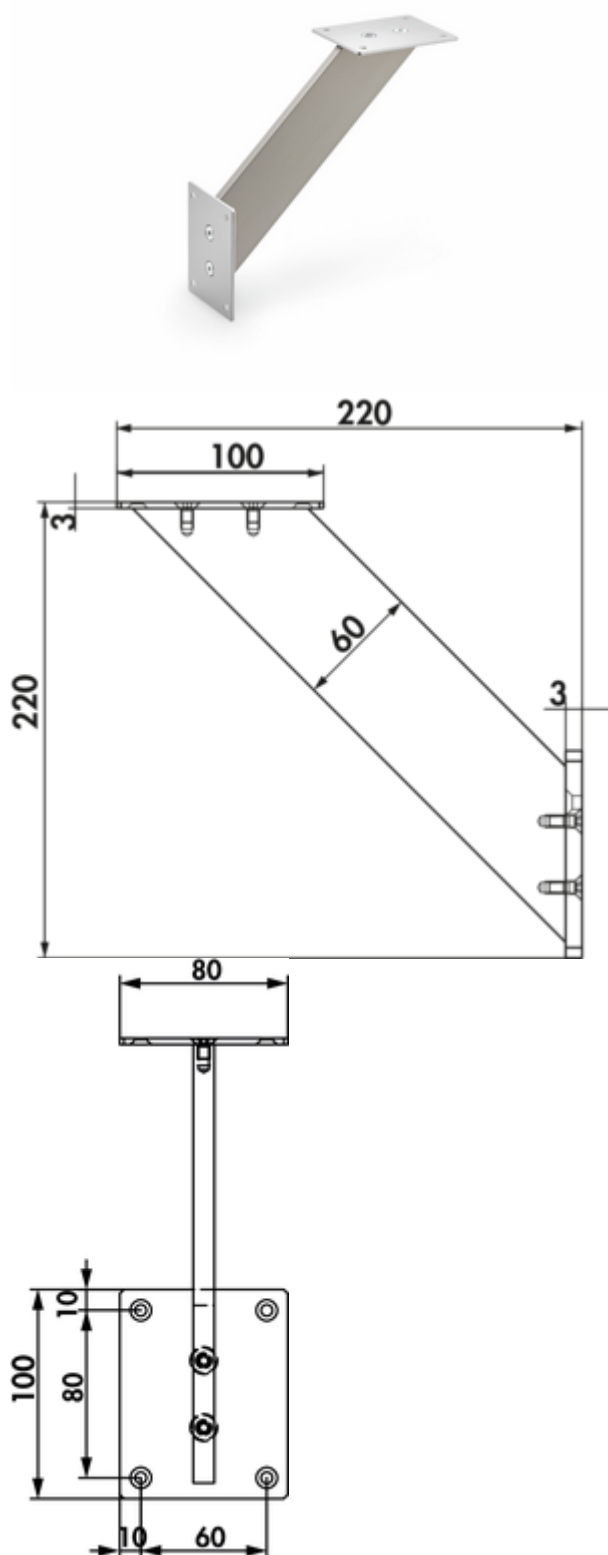
- ✓ Console
- ✓ angular
- ✓ slanted

Console.

— slanted

— elegant design 60 x 10 mm

— max. load per pair approx. 60 kg given even distribution, max. spacing of the consoles of 900 mm and max. projection of the plates of 250 mm



[more infos...](#)

Technical data

Article type	Console	With mounting plate	Yes
Height	220 mm	Carrying capacity	max. load per pair approx. 60 kg given even distribution, max. spacing of the consoles of 900 mm and max. projection of the plates of 250 mm
Width	60 mm	Support element version	slanted
Note	When using the glass adapter disk (3021176) bonding should be performed by a glazier.	Dimensions support surface	100 x 80 mm
Shape	angular	Mounting height on console	220 mm

Dimensional sketch (PDF)

