

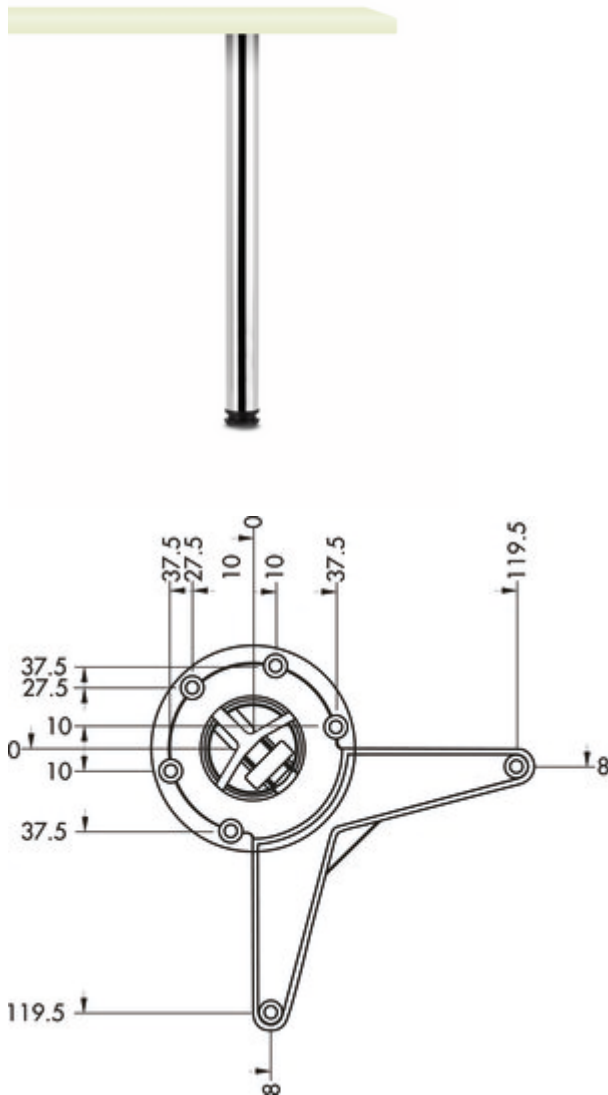
## Standard 6

Product number: 3010004

Configuration: chrome polished, H 820 mm

### Configuration options

3010001 | white glossy, H 705 mm  
 3010002 | chrome polished, H 705 mm  
 3010004 | chrome polished, H 820 mm  
 3010011 | chrome polished, H 870 mm  
 3010017 | black matt pearly, H 705 mm  
 3010019 | stainless steel, H 705 mm  
 3010020 | stainless steel, H 820 mm  
 3010021 | stainless steel, H 870 mm  
 3010022 | chrome matt, H 705 mm  
 3010023 | chrome matt, H 820 mm  
 3010024 | chrome matt, H 870 mm  
 3010025 | chrome matt, H 1100 mm  
 3010026 | black matt pearly, H 820 mm  
 3010027 | black matt pearly, H 870 mm  
 3010028 | black matt pearly, H 1100 mm  
 3010036 | stainless steel coloured, H 820 mm  
 3010037 | stainless steel coloured, H 870 mm  
 3011013 | chrome polished, H 1100 mm  
 3011023 | stainless steel, H 1100 mm  
 3011038 | stainless steel coloured, H 1100 mm



- ✓ Support foot
- ✓ round
- ✓ straight

Supporting foot. Classic pillar shape of the best and solid workmanship for universal use.

- tube-Ø 60 mm, may be shortened apart from stainless steel coloured
- height plus 30 mm height adjustment
- load-bearing capacity ca. 150 kg

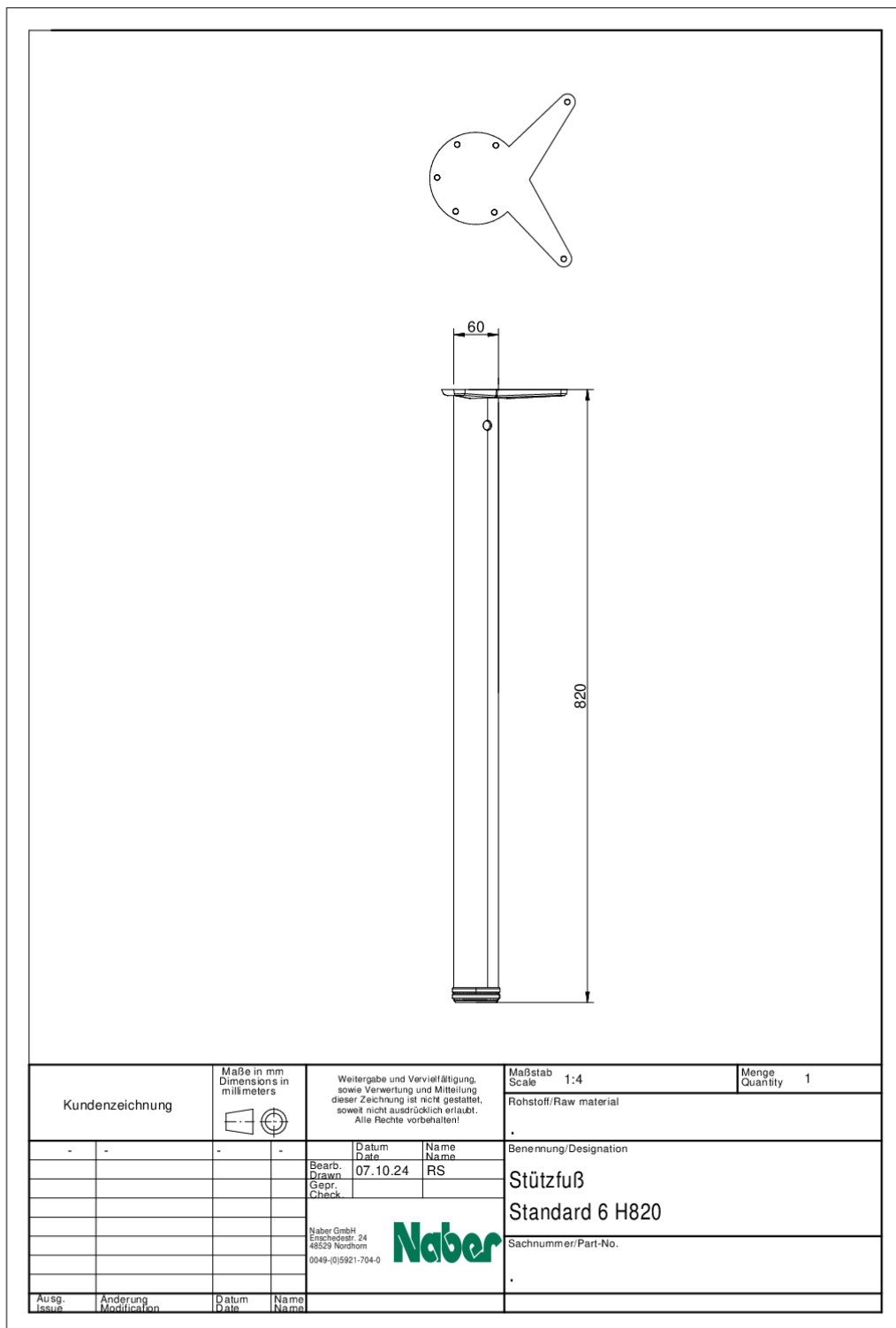


[more infos...](#)

### Technical data

Article type	Support foot	Carrying capacity	ca. 150 kg
Properties	can be shortened	Tube dimension	Ø 60 mm
Surface/coating	polished	Height adjustment	30 mm
Shape	round	Support element version	straight
With mounting plate	Yes		

Dimensional sketch (PDF)



Kundenzeichnung	Maße in mm Dimensions in millimeters	Weitergabe und Vervielfältigung, sowie Verwertung und Mitteilung dieser Zeichnung ist nicht gestattet, soweit nicht ausdrücklich erlaubt. Alle Rechte vorbehalten!		Maßstab Scale 1:4	Menge Quantity 1
				Rohstoff/Raw material	.
-	-	Datum Date	Name Name	Benennung/Designation	
		Bearb. Drawn	07.10.24	RS	Stützfuß Standard 6 H820
		Gepr. Check			
		Naber GmbH Enschedeestr. 24 48529 Nordhorn 0049-0)5921-704-0		Sachnummer/Part-No.	
				.	
Ausg. Issue	Anderung Modification	Datum Date	Name Name		