

Glass adapter disk

Product number: 3021056

Configuration: stainless steel, Ø 90 mm

Configuration options

3021056 | stainless steel, Ø 90 mm

✓ Accessory

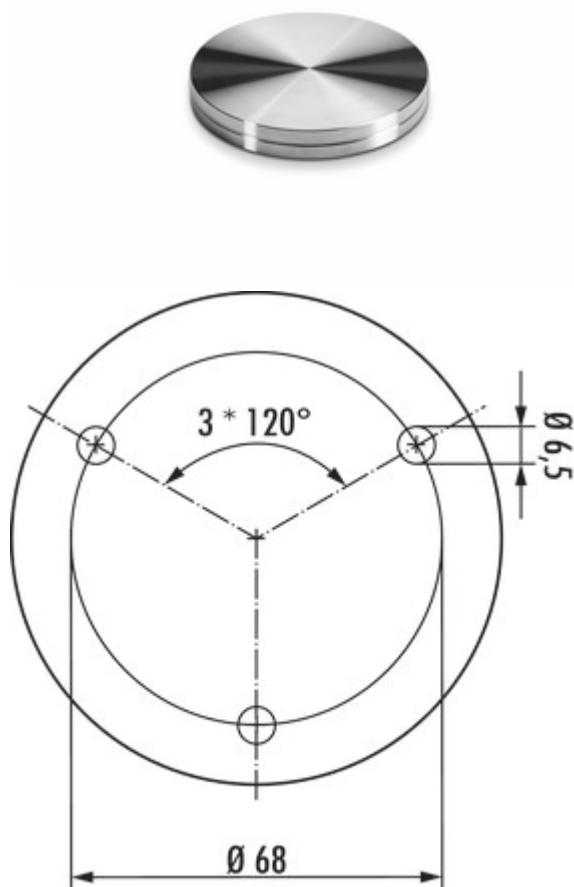
✓ Material: stainless steel

Optimal accessories for Colonna, Capitello 1, 2, 3, Turn Around and Model 40, 41, 42.

— height 12 mm

— to be bolted from below

Gluing should be performed by a glazier.



[more infos...](#)

Technical data

Article type	Accessory	Mounting/Fixing	to be bolted from below
Width	90 mm	Note	The bonding should be carried out by a glazier.
Material	stainless steel	Outer diameter	90 mm

Recommendations

3013042	Capitello 1, Console, stainless steel, H 145 mm, tube Ø 45 mm
3013043	Capitello 1, Console, stainless steel, H 195 mm, tube Ø 45 mm
3013044	Colonna, Support foot, stainless steel, H 1055 mm
3013073	Colonna, Support foot, stainless steel, H 1160 mm
3021063	Model 41, Console, stainless steel, H 190 mm, tube Ø 50 mm
3021066	Model 41, Console, stainless steel, H 230 mm, tube Ø 50 mm
3021072	Capitello 2, Console, chrome polished, H 170 mm, tube Ø 45 mm
3021073	Capitello 2, Console, chrome polished, H 210 mm, tube Ø 45 mm
3021074	Capitello 3, Console, stainless steel, H 183 mm, tube Ø 45 mm
3021075	Capitello 2, Console, stainless steel, H 170 mm, tube Ø 45 mm
3021076	Capitello 2, Console, stainless steel, H 210 mm, tube Ø 45 mm
3021079	Capitello 3, Console, chrome polished, H 183 mm, tube Ø 45 mm
3021083	Model 42, Console, stainless steel, H 170 mm, tube Ø 35 mm
3021084	Model 42, Console, stainless steel, H 230 mm, tube Ø 35 mm
3021097	Model 40, Console, stainless steel, H 185 mm, tube Ø 35 mm
3023052	Turn Around, Console, stainless steel, H 210 mm