

## ritter multi-cutter AES 72 SR

Product number: 1111044

Configuration: silver metallic, cuttings guided on the right

### Configuration options

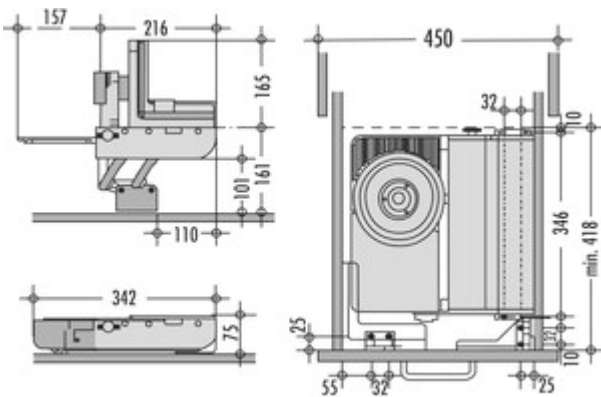
1111044 | silver metallic, cuttings guided on the right

- ✓ Electric slicer
- ✓ serrated
- ✓ 2 finger-switch on system

For installation in drawers from 450 mm cabinet width. Prerequisite: clear internal dimension: >344 mm. Stands in front of the worktop.

Distance from drawer bottom to upper worktop edge min. 116 mm, max. 161 mm.

- high-quality all-metal design
- drive: high-performance energy-saving motor 230 V, 65 watt short-time, operation 5 minutes
- 2 finger safety switching system
- circular blade: electrolytically polished edge Ø 170 mm, serrated
- bayonet quick lock for tool-free blade removal
- cutting width adjustment: up to approx. 14 mm
- fold-in lock when slice thickness set
- stand fitting locks automatically
- cable length 80 cm
- 75 x 342 x 365 mm (H x W x D), weight 4.3 kg
- accessories: cuttings tray made of stainless steel, fixing bracket for finger protection and left-overs holder
- 5 years manufacturer's warranty <https://www.ritterwerk.de/garantie>



more infos...

### Technical data

Article type	Electric slicer	Material drip tray	stainless steel
Width	342 mm	Cut thickness	14 mm
Material	metal	Diameter knife	170 mm
Mains voltage	230 V	Cutting material	cuttings guided on the right
Power	65 watts	Cut type knife	serrated
Drive	high-performance energy-saving motor 230 V, 65 watt, safety, brief and continuous operation switch, short-time operation 5 minutes	More parts	cuttings tray fixing bracket for finger protection and left-overs holder
Safety functions	2 finger-switch on system fold-in lock when slicethickness set set-up fitting locks automatically		

### Accessories

1111067 Ham slicer, Accessory, smooth

### Spare Parts

1111066 Replacement blade, Accessory, serrated