

F-RBFLEX 1 system 150 flat duct

Product number: 4043042

Configuration: white

Configuration options

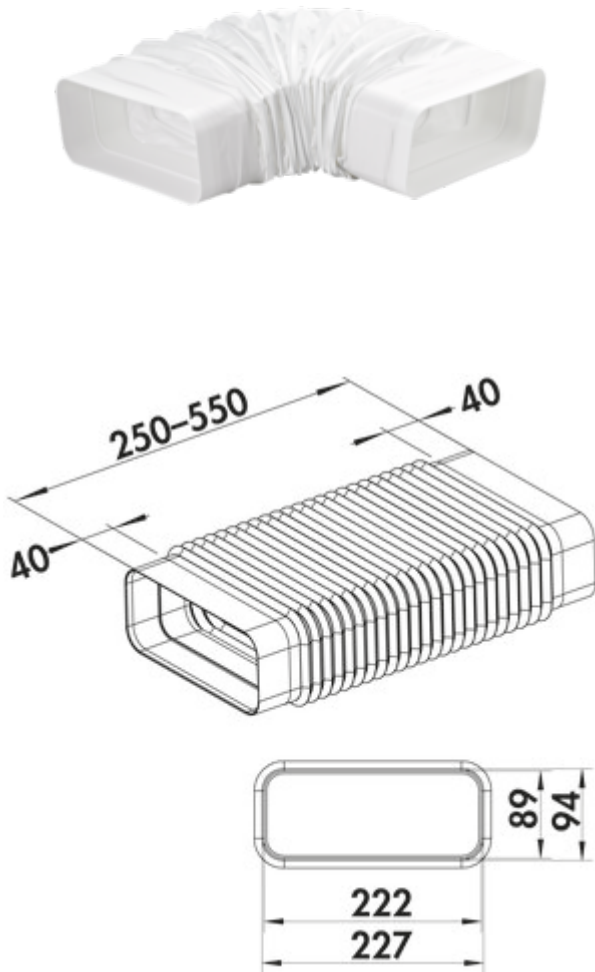
4043042 | white

✓ Connecting element

For diversions and turns up to 90°.

Adapter, flexible, rectangular to rectangular, with integrated sleeve. For connecting flat duct pipes.

— length 250–550 mm



[more infos...](#)

Technical data

Article type	Connecting element	Connection diameter	150 mm
Width	250 mm	Connection dimension	connection size (222 x 89 mm) for direct connection to the extraction system
Material	PVC	System dimension	150
Properties	flexible	Output drive	angular
Suitable for	for deflections up to 90°	Ventilation system	COMPAIR flow 150
Shape	angular		

