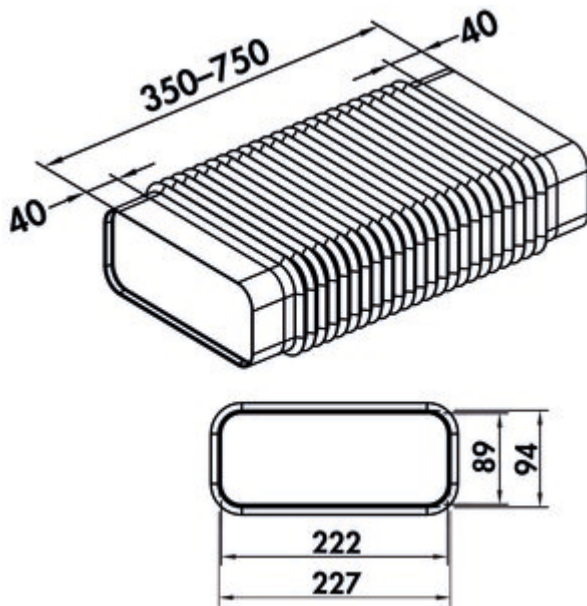


F-RBFLEX 3 system 150 pipe bend connector

Product number: 4040116
 Configuration: white

Configuration options
 4040116 | white



✓ Connecting element
 For diversions and turns up to 90°. Adapter, flexible, rectangular to rectangular, without integrated sleeve. For connecting flat duct bends.
 (Not suitable for connecting flat duct pipes).
 — length 350–750 mm

[more infos...](#)

Technical data

| | | | |
|---------------------|---------------------------|--------------------|--|
| Article type | Connecting element | Adapter type | Adapter, flexible, rectangular to rectangular, without integrated sleeve |
| Properties | flexible | System dimension | 150 |
| Suitable for | for deflections up to 90° | Output drive | angular |
| Shape | angular | Ventilation system | COMPAIR flow 150 |
| Connection diameter | 150 mm | | |

