

ARMATE® SERVIZIO Namor®

# ARMATE® SERVIZIO Namor®



Stainless steel faucets  
with the utmost precision



ARMATE®

---

Namor® faucets combine first-class design with ingenious functionality. And make every kitchen chore a pleasure!

---

# ARMATE® SERVIZIO Namor®

Stainless steel faucets with exquisite design and the utmost precision. From Naber!



Namor® 2  
Stainless steel

with Namor® dish soap dispenser



All models in the Namor® range feature the Naber logo and are manufactured to the highest standards of **quality and expertise**.

The three different model lines made of high-quality **304 stainless steel** are each available in the attractive surface finishes **stainless steel** and **matte black powder-coated**. In addition, the Namor® 3 and 4 models are also available in the striking **gunmetal PVD-coated** finish, adding a distinctive accent to modern kitchen design. The models Namor® 2, 4 and 6 have a convenient pull-out shower head.

All Namor® high-pressure faucets are equipped with a **laminar aerator** as standard. This generates a soft, natural spray pattern with less splashing, lownoise water jet and **low water consumption**. The swivel range of 120° gives the Namor® faucets sufficient freedom of movement for any sink. All Namor® faucets are equipped with at least **700 mm long connection hoses** for extremely **simple installation**.



**5 years  
Manufacturer's warranty**  
(apart from wearing parts)



**Factory customer service**  
(Germany, Austria,  
the Netherlands)



**Energy-saving  
Cold-Start  
technology**



**Smooth-running  
high-quality cartridge**  
with ceramic discs

**Product overview** of all  
ARMATE® SERVIZIO  
premium faucets →





### Pull-out hose with shower head

The smooth-running ball joint at the outlet provides flexibility and precise positioning of the water jet.

### Dish soap dispenser

Optional addition for space-saving elegance and great convenience.



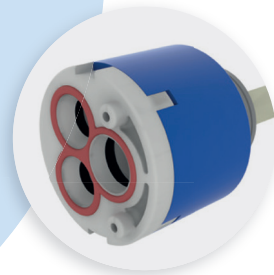
### Swivel range 120°

### Single lever mixer

Easy-to-operate side lever with energy-saving Cold-Start technology.



Ø 35 mm drilling diameter



### Ceramic cartridge

Smooth-running quality cartridge with ceramic discs.

### Aerator

Precise switching between laminar jet and shower.

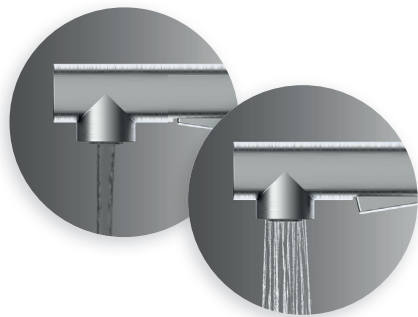


Illustration: Namor® 6, stainless steel

### Simple installation

Click fastening and clip weight on the shower hose.

Tool-free release of the connection by push-button locking.

Min. 700 mm connection hoses.



### Solid stainless steel 304 in three finishes

- stainless steel
- black matt, powder-coated
- gunmetal, PVD-coated

For sinks in front of a window

## Window faucets

Namor<sup>®</sup> 1, 3, 4 and 5 are now also available as window faucets for use in front of windows. The faucets allow easy opening of windows behind the sink, which makes them ideal for small kitchens with limited space. They are removable and offer the perfect combination of impressive functionality and timeless aesthetics. The Namor<sup>®</sup> window faucets 1, 3 and 5 also impress with a height of only 25 mm when tilted. This gives you more flexibility when planning a kitchen.



Namor<sup>®</sup> 1



Namor<sup>®</sup> 3



Namor<sup>®</sup> 4



Namor<sup>®</sup> 5



For kitchens with under-sink water heaters

## Low-pressure faucets

The models Namor<sup>®</sup> 1, 3, 5 and 7 are also available as low-pressure faucets. With their reliable connection to a cold water valve and an under-sink appliance, they guarantee a convenient supply of cold and hot water.



Namor<sup>®</sup> 1



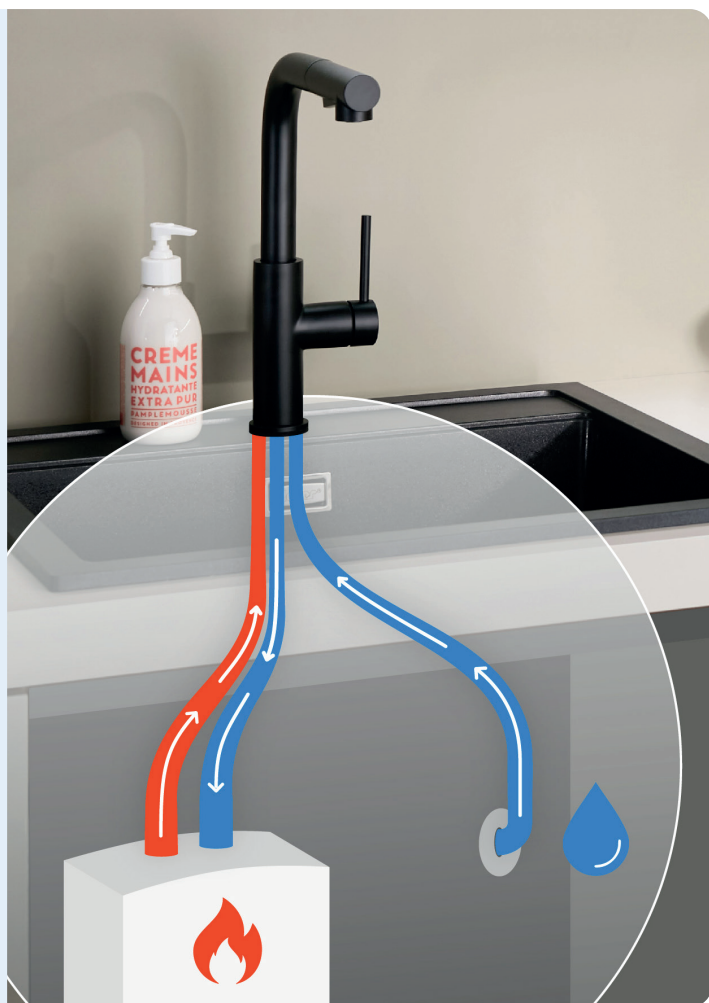
Namor<sup>®</sup> 3



Namor<sup>®</sup> 5



Namor<sup>®</sup> 7



# Everything at a glance

Order your chosen faucet now.

## Namor® 1



stainless steel



black matt

As a window faucet  
Height when tilted: only 25 mm



stainless steel



black matt

High pressure,  
with laminar aerator

5025001  
297.53 €\*

5025002  
342.29 €\*

5025031  
318.15 €\*

5025032  
366.76 €\*

Low pressure

5025013  
303.65 €\*

5025014  
349.71 €\*

## Namor® 3



stainless steel



black matt



gunmetal

As a window faucet  
Height when tilted: only 25 mm



stainless steel



black matt

High pressure,  
with laminar aerator

5025005  
271.20 €\*

5025006  
311.57 €\*

5025044  
330.94 €\*

5025033  
316.44 €\*

5025034  
364.20 €\*

Low pressure

5025015  
302.79 €\*

5025016  
348.86 €\*

## Namor® 5



stainless steel



black matt

As a window faucet  
Height when tilted: only 25 mm



stainless steel



black matt

High pressure,  
with laminar aerator

5025009  
271.20 €\*

5025010  
311.57 €\*

5025042  
316.44 €\*

5025043  
364.20 €\*

Low pressure

5025038  
302.79 €\*

5025039  
348.86 €\*

All models: 120° swivel range, drill hole Ø 35 mm

\* prices excl. VAT

**Namor® 2**

With pull-out shower head



stainless steel



black matt

High pressure, with laminar aerator

5025003  
405.49 €\*

5025004  
464.29 €\*

**Namor® 4**

With pull-out shower head



stainless steel



black matt



gunmetal

High pressure, with laminar aerator

5025007  
359.85 €\*

5025008  
414.26 €\*

5025045  
443.52 €\*

As a window faucet  
Height when tilted: only 50 mm



stainless steel



black matt

5025035  
437.56 €\*

5025036  
503.24 €\*

**Namor® 6**

With pull-out shower head



stainless steel



black matt

High pressure, with laminar aerator

5025011  
359.85 €\*

5025012  
414.26 €\*

**Namor® dish soap dispenser**

- with brass pump head
- 331 ml capacity
- corrosion-resistant metal construction
- easy cleaning
- simple top refilling without removing the dispenser
- drill-Ø 25-40 mm



stainless steel finish



black matt



gunmetal

5025022  
106.25 €\*

5025023  
114.75 €\*

5025024  
121.13 €\*

**Namor® 7**

With pull-out outlet



stainless steel



black matt

Low pressure

5025017  
437.56 €\*

5025019  
503.24 €\*



Naber GmbH  
Development · Production · Distribution

Enschedestraße 24  
48529 Nordhorn  
Germany

Tel. + 49 5921 704-0  
naber@naber.com  
naber.com

04/2026 EN

## **Naber – the original**

Naber is a medium-sized family business with its headquarters in Nordhorn. Kitchen professionals find accessory solutions for every planning and installation situation at Naber. The in-house development department regularly creates products that are pioneering in terms of both technology and design, making kitchens around the world better, more convenient and efficient, in other words, simply perfect!