

Capitello 1

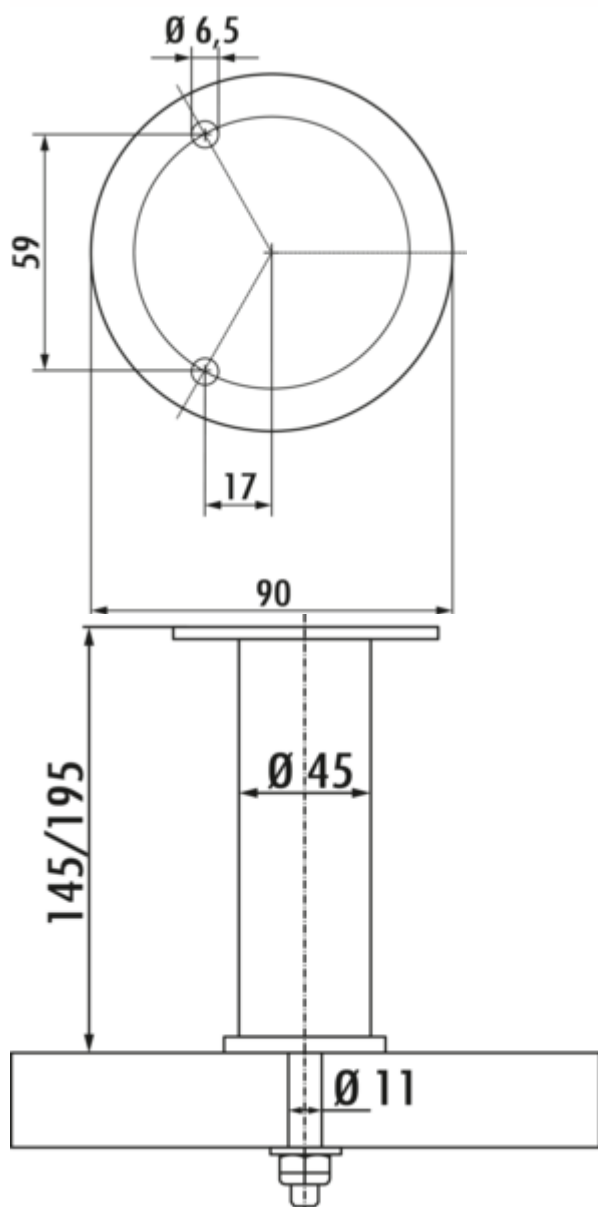
Product number: 3013042

Configuration: stainless steel, H 145 mm, tube Ø 45 mm

Configuration options

3013042 | stainless steel, H 145 mm, tube Ø 45 mm

3013043 | stainless steel, H 195 mm, tube Ø 45 mm



- ✓ Console
- ✓ Material: stainless steel
- ✓ round

Console with washer and bolted connection. Suitable for base leveller Cippo.

— max. load per pair approx. 60 kg given even distribution, max. spacing of the consoles of 900 mm and max. projection of the plates of 250 mm

When using the glass adapter disk (3021056) bonding should be performed by a glazier.



[more infos...](#)

Technical data

Article type	Console	Shape	round
Height	145 mm	Carrying capacity	max. load per pair approx. 60 kg given even distribution, max. spacing of the consoles of 900 mm and max. projection of the plates of 250 mm
Width	90 mm	Outer diameter	90 mm
Material	stainless steel	Tube dimension	Ø 45 mm
Properties	rust-free	Support element version	straight
Note	With washer and bolted connection When using the glass adapter disk (3021056) bonding should be performed by a glazier.		

Recommendations

3013044	Colonna, Support foot, stainless steel, H 1055 mm
3013073	Colonna, Support foot, stainless steel, H 1160 mm
3013040	Cippo, Base leveller, stainless steel, H 145 mm
3013041	Cippo, Base leveller, stainless steel, H 195 mm

Dimensional sketch (PDF)

