



LineUP 2E

Product number: 1091045

Configuration: white matt

Configuration options

- 1091041 | white glossy
- 1091042 | slate
- 1091043 | nero
- 1091044 | lava
- 1091045 | white matt

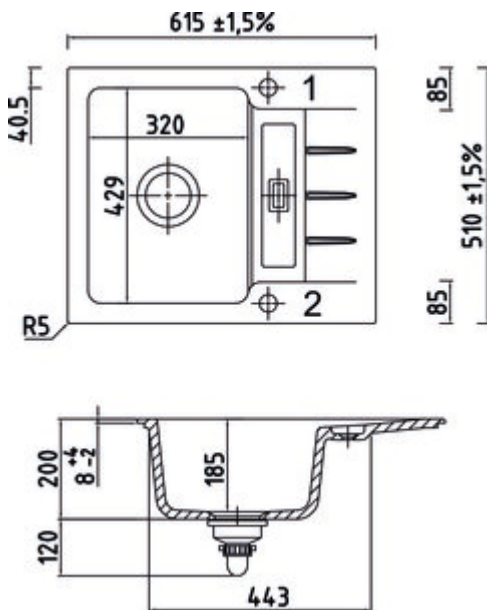
- ✓ Built-in sink
- ✓ ceramic
- ✓ Eccentric set, chrome-plated

Built-in sink. Ceramic, single bowl with small draining surface, reversible, 3½" basket strainer valve flush with premium rotational excenter fitting, chromed, drill hole 1 + 2 drilled through.

— suitable for worktop thicknesses from 30 mm

— cut-out approx. 585 x 480 mm, R 5 mm

Design by Hans Winkler Design, Grafenau.



[more infos...](#)

Technical data

Article type	Sink	Height main sink	185 mm
Width	615 mm	Depth main sink	429 mm
Material	ceramic	Flushing radius (R)	5
Designer	Design by Hans Winkler Design, Grafenau.	Material thickness worktop minimum	30 mm
Cabinet width	500 mm	Number of tap holes	1
Cut-out dimension	approx. 585 x 480 mm, R 5 mm	Armature bench	Yes
Surface/coating	matt	Number of holes	2
Excenter fitting	Eccentric set, chrome-plated	Arrangement sinks	Reversible
Valve type	3½" basket strainer valve flush	Number of sinks	1 main sink
Overflow	Overflow in the drainer	Number of overflow points	1
Installation variant	Built-in sink	Draining board	With ribbed draining surface
Main sink width	320 mm	Garnish actuation	Chrome-plated rotary eccentric

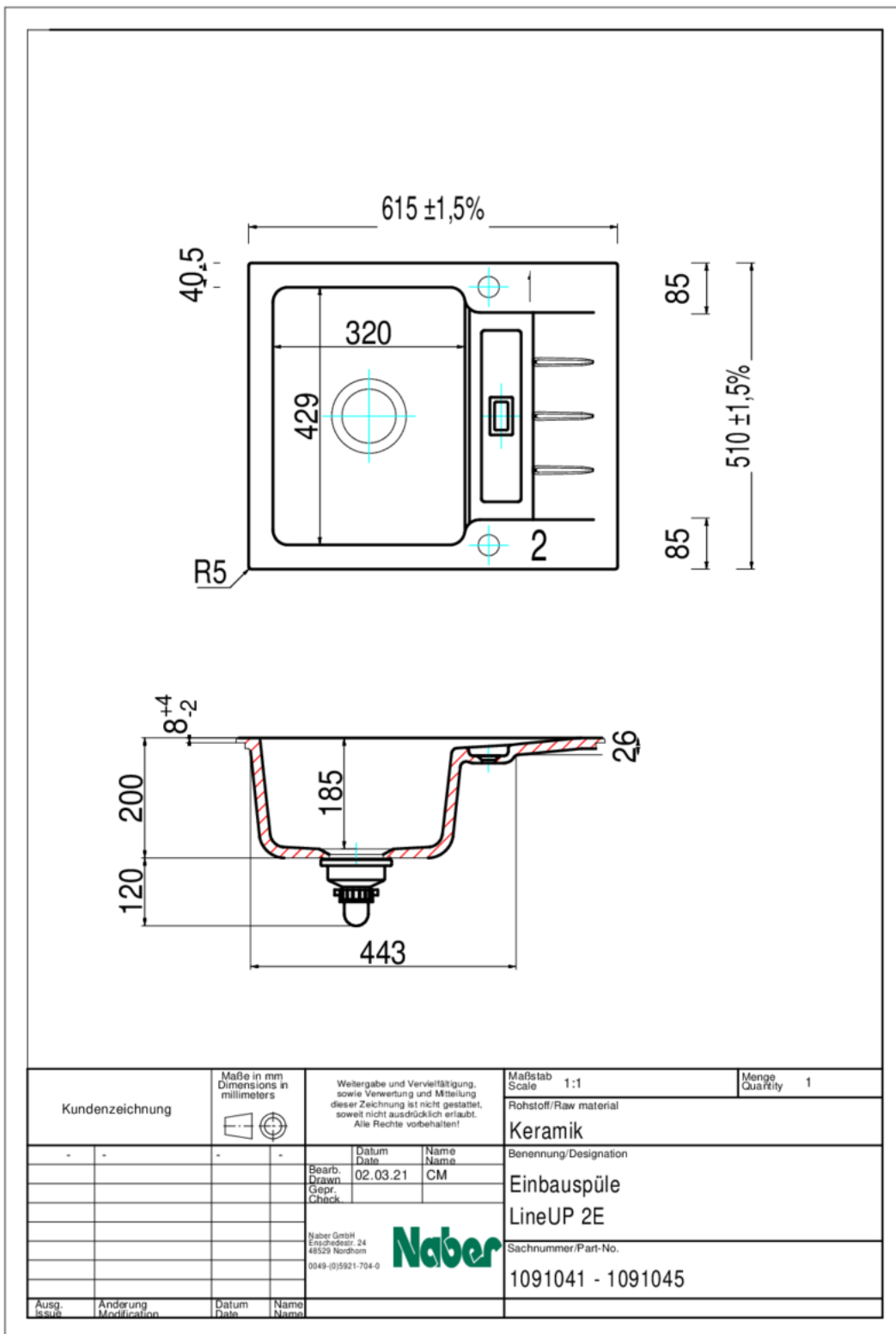
Accessories

1091038	Bowl insert, Accessory, stainless steel
---------	---

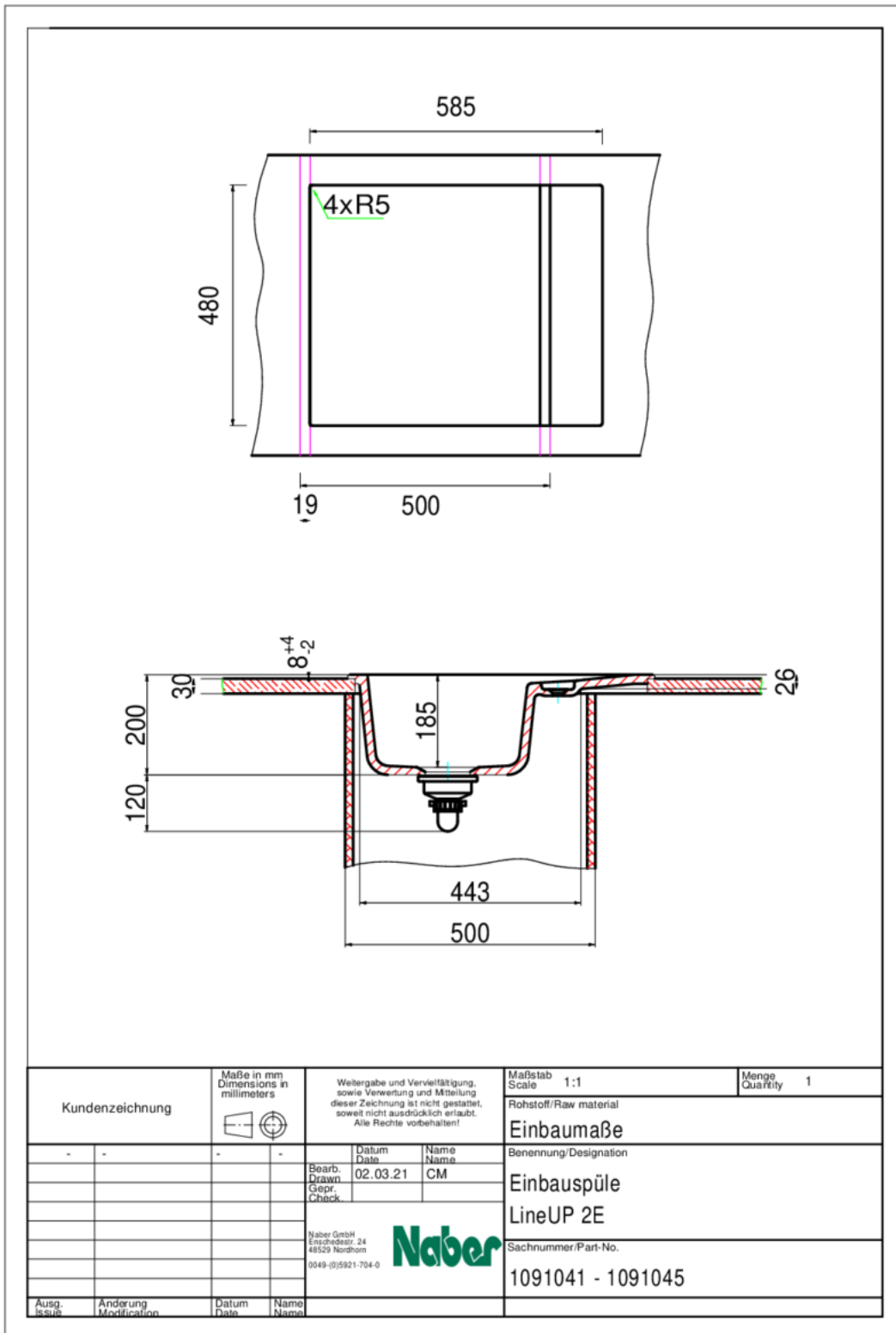
Recommendations

5011252	Arco 2, Sink faucet, chrome, high pressure
5011320	Fuoco 1, Sink faucet, chrome, high pressure

Dimensional sketch (PDF)



Installation dimensions (PDF)



Kundenzeichnung		Maße in mm Dimensions in millimeters	Weitergabe und Vervielfältigung, sowie Voreverfertigung und Mitteilung dieser Zeichnung ist nicht gestattet, soweit nicht ausdrücklich erlaubt. Alle Rechte vorbehalten!		Maßstab Scale 1:1	Menge Quantity 1
-	-	-	-	Datum Date 02.03.21	Rohstoff/Raw material Einbaumaße	
				Name Name CM	Benennung/Designation Einbauspüle LineUP 2E	
				Sachnummer/Part-No. 1091041 - 1091045		
Ausg. Issus	Anderung Modification	Datum Date	Name Name			