

Duplex E double USB A+C

Product number: 7054002

Configuration: round, with earthed plug socket, stainless steel

Configuration options

7054002 | round, with earthed plug socket, stainless steel

7054004 | square, with earthed plug socket, stainless steel

7054006 | square, with earthed plug socket, black matt

7054007 | round, with earthed plug socket, black matt

- ✓ Built-in socket element
- ✓ 1 x earthed plug socket
- ✓ round

Socket element. Single and double USB A+C charger (charging station).
Electric opening at the push of a button.

— 1 x USB charger type A, 5 VDC, IA/I out: 1 x 2100 mA

— 1 x USB charger type C, 5 VDC, IA/I out: 1 x 3000 mA

— 3680 watt/16 A, 250 VAC, IP20

— H05VV-F 3G 1.5 mm²

— 3-pole with earthing contact

— 2000 mm mains connection line with earthed plug

— drill Ø 105 mm

— installation depth approx. 48 mm

— increased contact protection

— space-saving cable routing (downwards or side cable outlet)

— simple and quick installation

— retrofitting possible

— integrated water drain



[more infos...](#)

Technical data

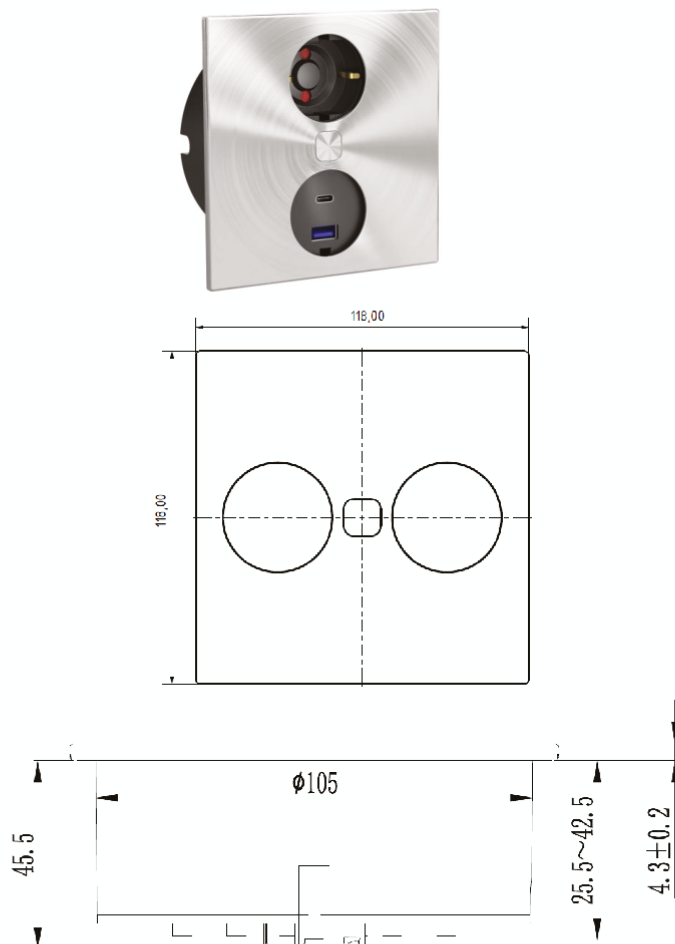
Article type	Socket element	Colour socket	black
Drilling diameter	105 mm	Cover/blind type	Electric
Mains voltage	250 VAC	Integrated water drain	Yes
Protection class	IP20	Number of USB ports	2
Cable outlet	cable outlet on the side or bottom	USB type	USB-A USB-C
Max. connected load	3680 watt	Type of socket element	Built-in socket element
Note	can be retrofitted	Conductor cross-section	1,5 mm ²
Further	3-pole with earthing contact	Rated current	16 A
Certification	CE TÜV	Wiring	3-wire with free ends bared
Shape	round	Number of sockets (total)	1
Length of the supply line (primary)	2.000 mm	Opening mechanism	Push & Pull
Installation depth	48 mm	Touch protection ("child safety lock")	with increased contact protection
Version sockets	1 x earthed plug socket	USB version	1 x USB charger type A, 5 VDC, IA/ I out: 2100 mA 1 x USB charger type C, 5 VDC, IA/ I out: 1 x 3000 mA
Colour bezel	Stainless steel		

Installation dimensions (PDF)

DUPLEX-Q

1x CEE 7/3; 1x USB-Charger Type A; 1x USB-Charger Type C
 2,0m H05VV-F AEH / ferrules; Schutzkontaktstecker/ mounting plug



 ...inspiriert!


Technische Daten / technical data

Gehäuse / housing:	Kunststoff, schwarz / plastic in black color
Abdeckung / cover:	Edelstahl / stainless steel
Bohrdurchmesser / Drilling diameter:	105 mm
Einbautiefe / installation depth:	45,5 mm
Einbau / installation:	von oben montierbar / top mounting
CEE 7/3:	Steckereinführhilfe im Steckdosentopf / plug insert aid
USB-Charger Type A:	5,0 V 2,1 A
USB-Charger Type C:	5,0 V 3,0 A

Enschedeestr. 24 - 48529 Nordhorn - Tel.: +49 5921 704-0 - Fax: +49 5921 704-140 - Internet: www.naber.com