

T-EST 125 end piece

Product number: 4021047

Configuration: white

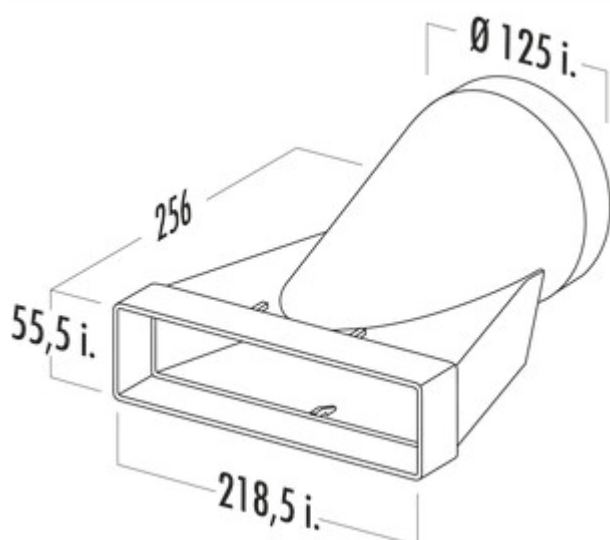
Configuration options

4021047 | white

- ✓ Connecting element
- ✓ Plug-in system for subsequent gluing

Transition piece round/wide duct with straight contact surface.

For connection to blind, hood or wall conduct round connectors (but also employable as starting part for direct connection to 125-gauge hood connectors).



[more infos...](#)

Technical data

Article type	Connecting element	Connection diameter	125 mm
Width	256 mm	System dimension	125
Mounting/Fixing	Plug-in system for subsequent gluing	Output drive	angular round
Suitable for	For connection to blind, hood or wall conduct round connectors (but also employable as starting part for direct connection to 125-gauge hood connectors)	Ventilation system	COMPAIR top