

## STEEL flow SF-VRO 150 flat duct

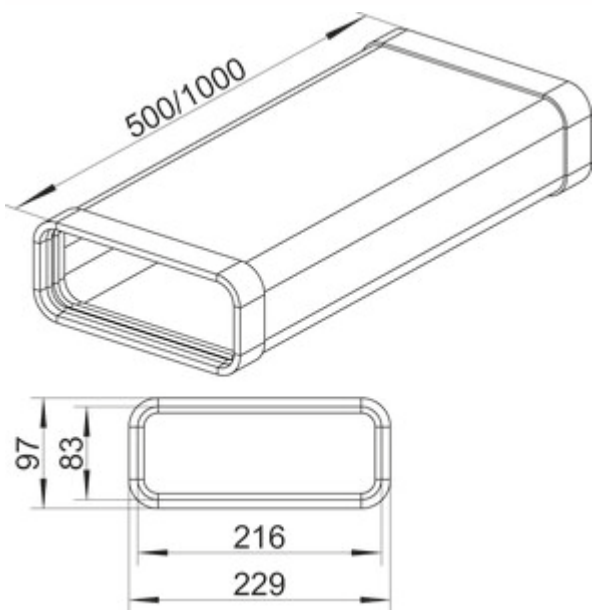


Product number: 4061003  
 Configuration: L 1000 mm, galvanized steel

### Configuration options

- 4061003 | L 1000 mm, galvanized steel
- 4061004 | L 500 mm, galvanized steel

- ✓ Ventilation pipe
  - ✓ plug-in system
- Ventilation pipe.
- can be shortened
  - connection size metal duct 216 x 83 mm (with seal)
  - 2 SF profile linings pre-assembled
  - after removing the profile seal, connection to a flat plastic duct is possible



[more infos...](#)

### Technical data

Article type	Ventilation pipe	Note	2 SF profile linings pre-assembled
Brand	STEEL flow	Surface/coating	galvanised
Width	1.000 mm	Shape	angular
Material	galvanized steel	Outer diameter	150 mm
Properties	can be shortened	Output drive	angular
Mounting/Fixing	plug-in system	Ventilation system	COMPAIR STEEL flow <sup>®</sup> 150

### Accessories

4061029	SF-VRO 150 support, Exhaust air accessorie, L 300 mm, galvanized steel
---------	--



