

Model 45

Product number: 3021082

Configuration: aluminium anodised, H 321.2 mm

Configuration options

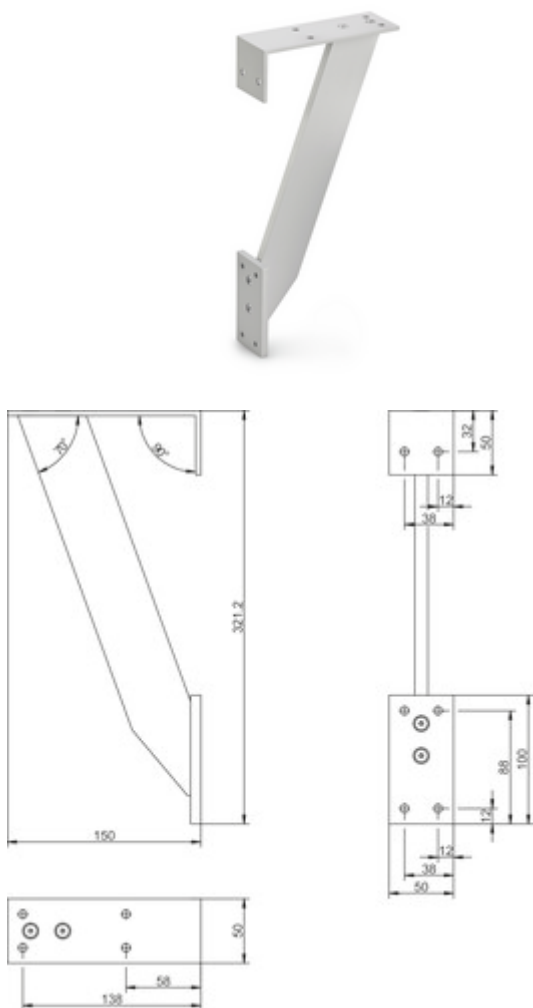
3021082 | aluminium anodised, H 321.2 mm

- ✓ Console
- ✓ Material: aluminium
- ✓ slanted

Console. For fastening to cabinet body.

— aluminium profile 50 x 10 mm

— max. load per pair approx. 30 kg given even distribution, max. spacing of the consoles of 900 mm and max. projection of the plates of 250 mm



[more infos...](#)

Technical data

Article type	Console	With mounting plate	Yes
Height	321,2 mm	Dimensions profile	50 x 10 mm
Width	10 mm	Carrying capacity	max. load per pair approx. 30 kg given even distribution, max. spacing of the consoles of 900 mm and max. projection of the plates of 250 mm
Material	aluminium	Support element version	slanted
Suitable for	for fastening to cabinet body		

