

## Duplex E double socket

Product number: 7054003

Configuration: square, with earthen plug sockets, stainless steel

### Configuration options

- 7054001 | round, with earthen plug sockets, stainless steel
- 7054003 | square, with earthen plug sockets, stainless steel
- 7054005 | square, with earthen plug sockets, black matt
- 7054008 | round, with earthen plug sockets, black matt

- ✓ Built-in socket element
- ✓ 2 x earthen plug socket
- ✓ square

Socket element. Double. Electric opening at the push of a button.

- 3680 watt/16 A, 250 VAC, IP20
- H05VV-F 3G 1.5 mm<sup>2</sup>
- 3-pole with earthing contact
- 2000 mm mains connection line with earthing contact plug
- drill Ø 105 mm
- installation depth approx. 48 mm
- increased contact protection
- space-saving cable routing (downwards or side cable outlet)
- simple and quick installation
- retrofitting possible
- integrated water drain



[more infos...](#)

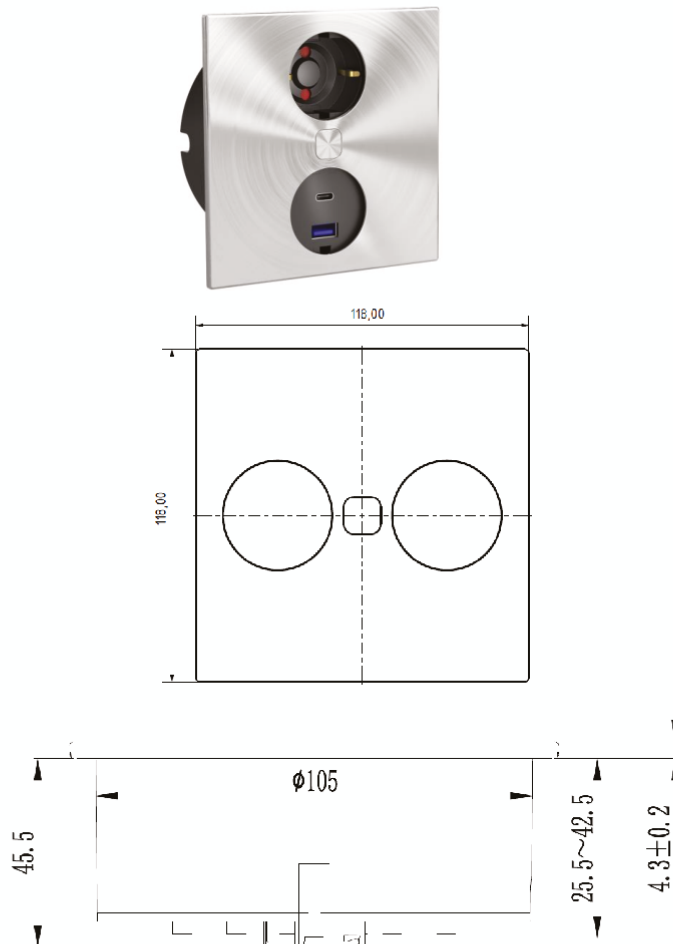
### Technical data

Article type	Socket element	Version sockets	2 x earthen plug socket
Height	118 mm	Mains plug loosely enclosed	Yes
Drilling diameter	105 mm	Colour bezel	Stainless steel
Width	118 mm	Colour socket	black
Mains voltage	250 VAC	Cover/blind type	Electric
Protection class	IP20	Integrated water drain	Yes
Cable outlet	cable outlet on the side or bottom	Type of socket element	Built-in socket element
Max. connected load	3680 watt	Switch type	Touch switch
Mounting/Fixing	in the worktop installation	Conductor cross-section	1,5 mm <sup>2</sup>
Note	can be retrofitted	Rated current	16 A
Further	3-pole with earthing contact	Wiring	bared 3-wire with free ends
Certification	CE TÜV	Number of sockets (total)	2
Shape	square	Opening mechanism	Push & Pull
Length of the supply line (primary)	2.000 mm	Touch protection ("child safety lock")	with increased contact protection
Installation depth	48 mm		

## Installation dimensions (PDF)

## DUPLEX-Q

1x CEE 7/3; 1x USB-Charger Type A; 1x USB-Charger Type C  
 2,0m H05VV-F AEH / ferrules; Schutzkontaktstecker/ mounting plug


  
 ...inspiriert!


### Technische Daten / technical data

Gehäuse / housing:	Kunststoff, schwarz / plastic in black color
Abdeckung / cover:	Edelstahl / stainless steel
Bohrdurchmesser / Drilling diameter:	105 mm
Einbautiefe / installation depth:	45,5 mm
Einbau / installation:	von oben montierbar / top mounting
CEE 7/3:	Steckereinführhilfe im Steckdosentopf / plug insert aid
USB-Charger Type A:	5,0 V 2,1 A
USB-Charger Type C:	5,0 V 3,0 A

Enschedeestr. 24 - 48529 Nordhorn - Tel.: +49 5921 704-0 - Fax: +49 5921 704-140 - Internet: [www.naber.com](http://www.naber.com)