

STEEL flow SF-EST 150 end piece



Product number: 4061011

Configuration: galvanized steel

Configuration options

4061011 | galvanized steel

✓ Connecting element

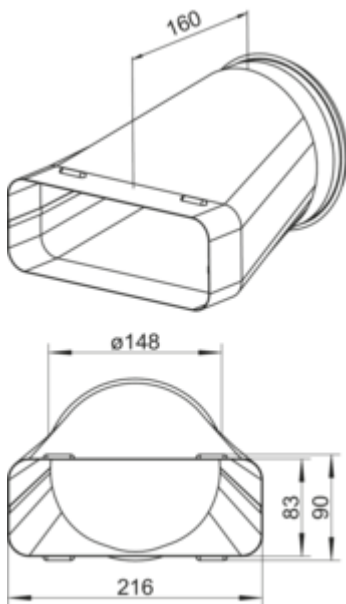
✓ plug-in system

Transition from flat to round.

— suitable for flat ducts SF-VRO flex and SF-VRO

— suitable for round pipes SR-R flex and SR-R

— connection to a plastic round pipe possible



[more infos...](#)

Technical data

Article type	Connecting element	Suitable for	suitable for round pipes SR-R flex and SR-R suitable for flat ducts SF-VRO flex and SF-VRO
Brand	STEEL flow	Surface/coating	galvanised
Width	160 mm	Outer diameter	150 mm
Material	galvanized steel	System dimension	150
Mounting/Fixing	plug-in system	Output drive	round
Note	connection to a plastic round pipe possible	Ventilation system	COMPAIR STEEL flow® 150

