

## STEEL flow SF-EST 150 end piece



Product number: 4061011

Configuration: galvanized steel

### Configuration options

4061011 | galvanized steel

✓ Connecting element

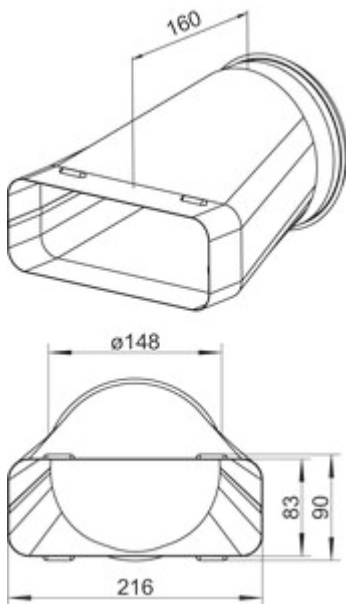
✓ plug-in system

Transition from flat to round.

— suitable for flat ducts SF-VRO flex and SF-VRO

— suitable for round pipes SR-R flex and SR-R

— connection to a plastic round pipe possible



[more infos...](#)

### Technical data

Article type	Connecting element	Suitable for	suitable for round pipes SR-R flex and SR-R suitable for flat ducts SF-VRO flex and SF-VRO
Brand	STEEL flow	Surface/coating	galvanised
Warranty	5-year Naber warranty (except for wear parts); the general warranty conditions of Naber GmbH apply.	Outer diameter	150 mm
Width	160 mm	System dimension	150
Material	galvanized steel	Output drive	round
Mounting/Fixing	plug-in system	Ventilation system	COMPAIR STEEL flow® 150
Note	connection to a plastic round pipe possible		

