

## F-RBFLEX 2 system 150 pipe bend

Product number: 4043043

Configuration: white

### Configuration options

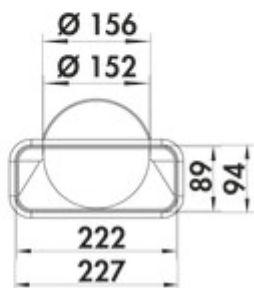
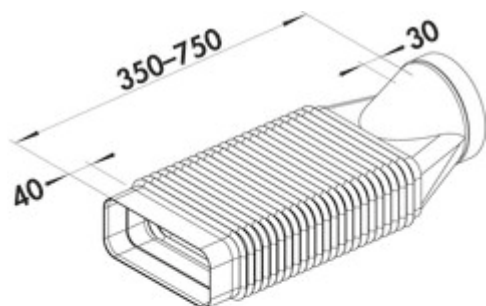
4043043 | white

✓ Connecting element

For diversions and turns up to 90°.

Adapter, flexible, round to rectangular, with integrated sleeve.

— length 350–750 mm



[more infos...](#)

### Technical data

Article type	Connecting element	Outer diameter	150 mm
Width	350 mm	Adapter type	Adapter, flexible, round to rectangular, with integrated sleeve
Properties	flexible	System dimension	150
Diameter	stainless steel cover Ø 197 mm	Output drive	angular round
Suitable for	diversions and turns up to 90°	Ventilation system	COMPAIR flow 150

Dimensional sketch (PDF)

