

Model 41

Product number: 3021063

Configuration: stainless steel, H 190 mm, tube Ø 50 mm

Configuration options

3021063 | stainless steel, H 190 mm, tube Ø 50 mm

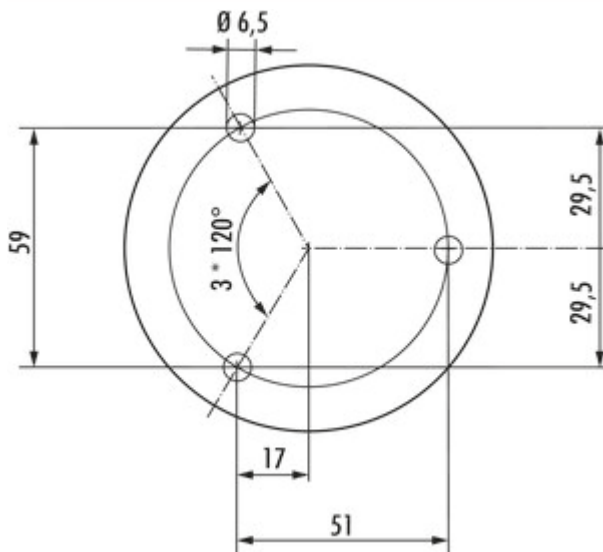
3021066 | stainless steel, H 230 mm, tube Ø 50 mm

- ✓ Console
- ✓ Material: stainless steel
- ✓ round

Console. With bolted connection.

— max. load per pair approx. 60 kg given even distribution, max. spacing of the consoles of 900 mm and max. projection of the plates of 250 mm

When using the glass adapter disk (3021056) bonding should be performed by a glazier.



[more infos...](#)

Technical data

| | | | |
|-----------------|---|--------------------------|--|
| Article type | Console | Carrying capacity | max. load per pair approx. 60 kg given even distribution, max. spacing of the consoles of 900 mm and max. projection of the plates of 250 mm |
| Width | 90 mm | Outer diameter | 90 mm |
| Material | stainless steel | Tube dimension | Ø 50 mm |
| Mounting/Fixing | Screw fastening | Diameter bearing surface | 90 mm |
| Note | When using the glass adapter disk (3021056) bonding should be performed by a glazier. | Support element version | straight |
| Shape | round | | |

Accessories

| | |
|---------|---|
| 3021056 | Glass adapter disk, Accessory, stainless steel, Ø 90 mm |
|---------|---|

Dimensional sketch (PDF)

