

## Model 42

Product number: 3021084

Configuration: stainless steel, H 230 mm, tube Ø 35 mm

### Configuration options

3021083 | stainless steel, H 170 mm, tube Ø 35 mm

3021084 | stainless steel, H 230 mm, tube Ø 35 mm

- ✓ Console
- ✓ Material: stainless steel
- ✓ round

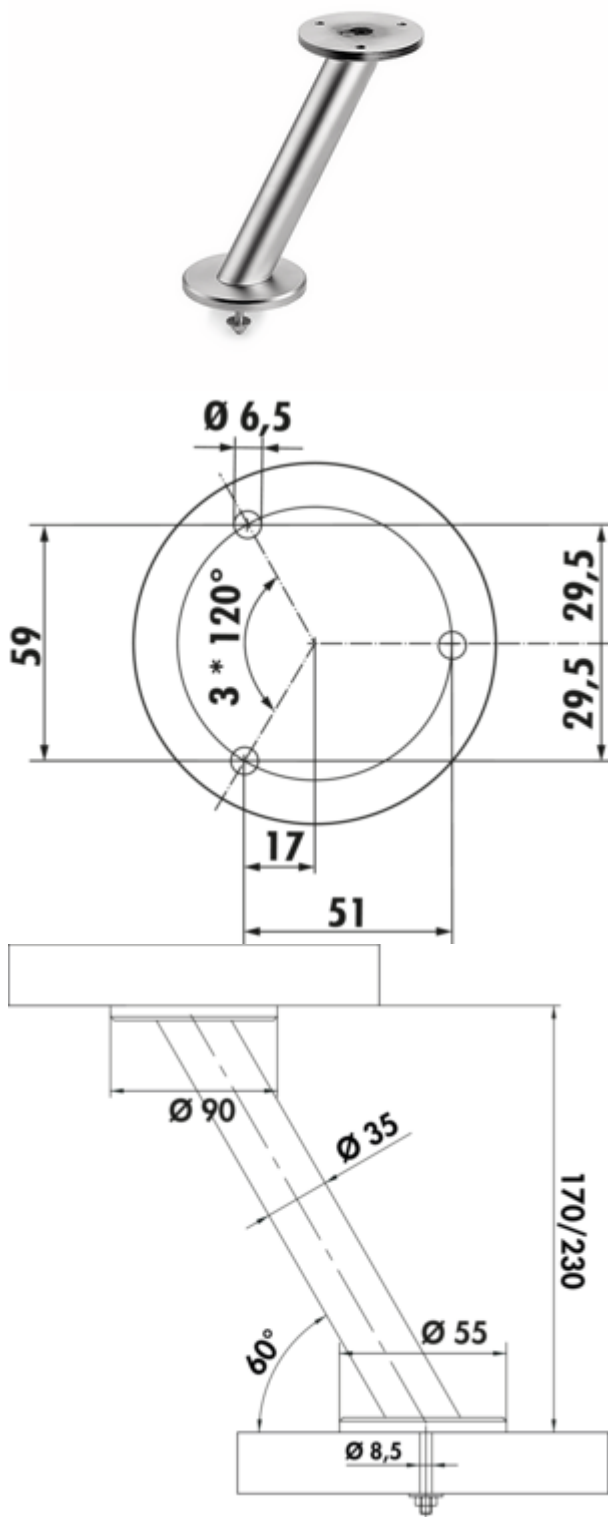
Console. With bolted connection.

— slanted

— max. load per pair approx. 60 kg given even distribution, max. spacing of the consoles of 900 mm and max. projection of the plates of 250 mm

For granite tops, the Capitello series is better.

When using the glass adapter disk (3021056) bonding should be performed by a glazier.



[more infos...](#)

## Technical data

|                 |   |                          |  |
|-----------------|---|--------------------------|--|
| Article type    | Console   | Shape                    | round  |
| Height          | 230 mm  | Carrying capacity        | max. load per pair approx. 60 kg given even distribution, max. spacing of the consoles of 900 mm and max. projection of the plates of 250 mm |
| Width           | 90 mm   | Inclination angle        | 60°  |
| Material        | stainless steel   | Tube dimension           | Ø 35 mm  |
| Mounting/Fixing | Screw fastening   | Diameter bearing surface | 90 mm  |
| Note            | For granite tops, the Capitello series is better<br>When using the glass adapter disk (3021056) bonding should be performed by a glazier. | Support element version  | slanted  |

Dimensional sketch (PDF)

