

Model 42

Product number: 3021084

Configuration: stainless steel, H 230 mm, tube Ø 35 mm

Configuration options

3021083 | stainless steel, H 170 mm, tube Ø 35 mm

3021084 | stainless steel, H 230 mm, tube Ø 35 mm

- ✓ Console
- ✓ Material: stainless steel
- ✓ round

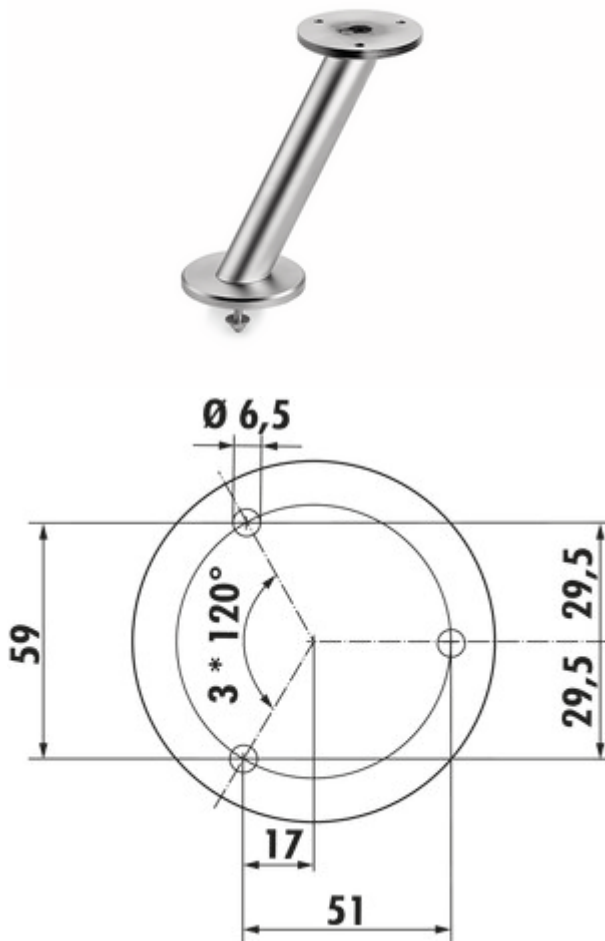
Console. With bolted connection.

— slanted

— max. load per pair approx. 60 kg given even distribution, max. spacing of the consoles of 900 mm and max. projection of the plates of 250 mm

For granite tops, the Capitello series is better.

When using the glass adapter disk (3021056) bonding should be performed by a glazier.



[more infos...](#)

Technical data

Article type	Console	Carrying capacity	max. load per pair approx. 60 kg given even distribution, max. spacing of the consoles of 900 mm and max. projection of the plates of 250 mm
Width	90 mm	Inclination angle	60°
Material	stainless steel	Tube dimension	Ø 35 mm
Mounting/Fixing	Screw fastening	Diameter bearing surface	90 mm
Note	For granite tops, the Capitello series is better When using the glass adapter disk (3021056) bonding should be performed by a glazier.	Support element version	slanted
Shape	round		

Accessories

3021056	Glass adapter disk, Accessory, stainless steel, Ø 90 mm
---------	---

Dimensional sketch (PDF)

