

## Mira wall small USB A

Product number: 7053091  
Configuration: stainless steel

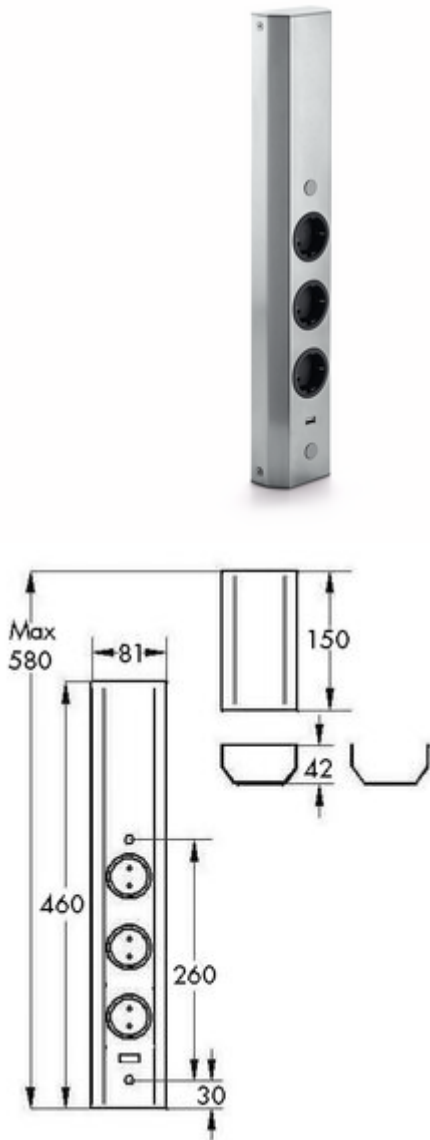
### Configuration options

7053091 | stainless steel

- ✓ Surface-mounted socket element
- ✓ 3 x earthed plug socket
- ✓ angular

Socket element. 3-fold.

- stainless steel housing in a compact design with telescopic intermediate piece
- 240 V/16 A
- 1 x USB charger type A, 5 VDC, IA/ I out: 1000 mA
- 460–580 x 81 x 42 mm (H x W x D)
- 2000 mm mains connection line, earthed plug supplied loose
- cable outlet back top



[more infos...](#)

### Technical data

Article type	Socket element	Version sockets	3 x earthed plug socket
Width	81 mm	Housing colour	Stainless steel
Mains voltage	240 V/16 A	Mains plug loosely enclosed	Yes
Cable outlet	cable outlet back top	Colour socket	black
Properties	rust-free	Number of USB ports	1
Mounting/Fixing	surface mounting	USB type	USB-A
Material housing	stainless steel	Total charging current	1000 mA
Certification	CE	Type of socket element	Surface-mounted socket element
Shape	angular	Number of sockets (total)	3
Length of the supply line (primary)	2.000 mm	USB version	1 x USB charger type A, 5 VDC, IA/ I out: 1000 mA
Telescopic function	with telescopic intermediate piece		