

PRIME flow P-K-Klima flow 150 wall conduct

Product number: 4051075

Configuration: brick red

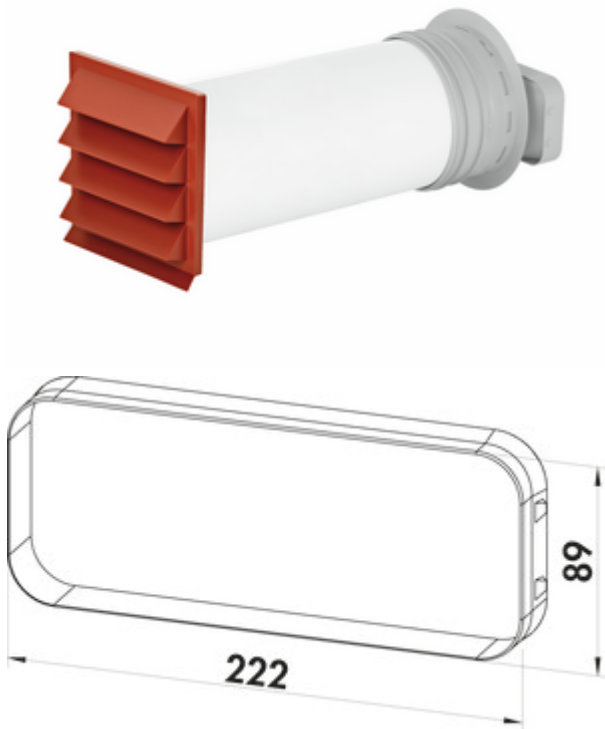
Configuration options

4051069 | white
 4051071 | anthracite
 4051075 | brick red
 4051077 | light grey

- ✓ Wall sleeve
- ✓ plug-in system

Wall conduct, with backflow trap

- N-Klick system for secure connection with the universal connector
- direct connection of the flat adapter, round pipe or round pipe bends
- max. wall thickness 550 mm, can be shortened to 220 mm
- core hole drilling in nominal \varnothing 162 or 164 mm
- wall sleeve for tool-free installation and sealing against leakage



[more infos...](#)

Technical data

Article type	Wall sleeve	Shape	angular
Brand	PRIME flow	Connection diameter	150 mm
Material	plastic	Suitable wall thickness	max. wall thickness 550 mm
Mounting/Fixing	plug-in system	Blind version	with backpressure shutter
Diameter	150 mm	System dimension	150
Suitable for	direct connection of the flat adapter, round pipe or round pipe bends	Output drive	angular
Shortenability	can be shortened to 220 mm	Ventilation system	COMPAIR PRIME flow®
Field of use & application	Outside		

