

MF-RBH 125 pipe bend horizontal 15°



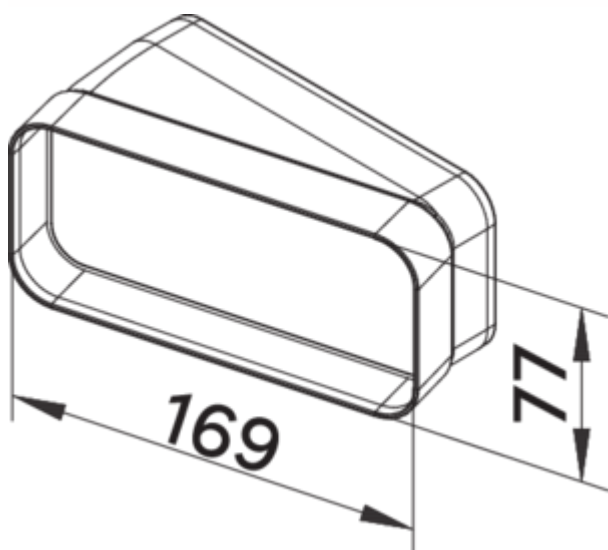
Product number: 4033012

Configuration: white

Configuration options

4033012 | white

- ✓ Connecting element
 - ✓ Plug-in system for subsequent gluing
- With sleeve integrated on one side.



[more infos...](#)

Technical data

Article type	Connecting element	Shape	angular
Height	82 mm	Outer diameter	125 mm
Width	174 mm	System dimension	125
Material	Polystyrene	Output drive	angular
Mounting/Fixing	Plug-in system for subsequent gluing	Ventilation system	COMPAIR flow 125

