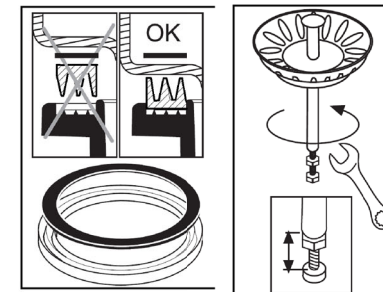
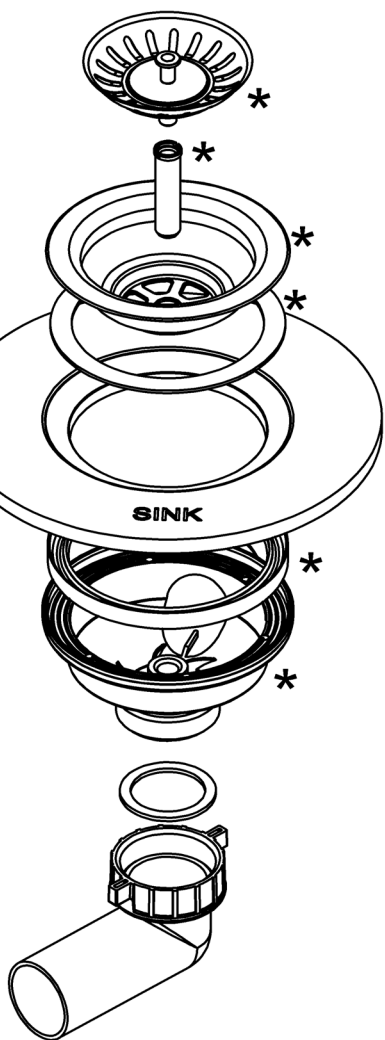




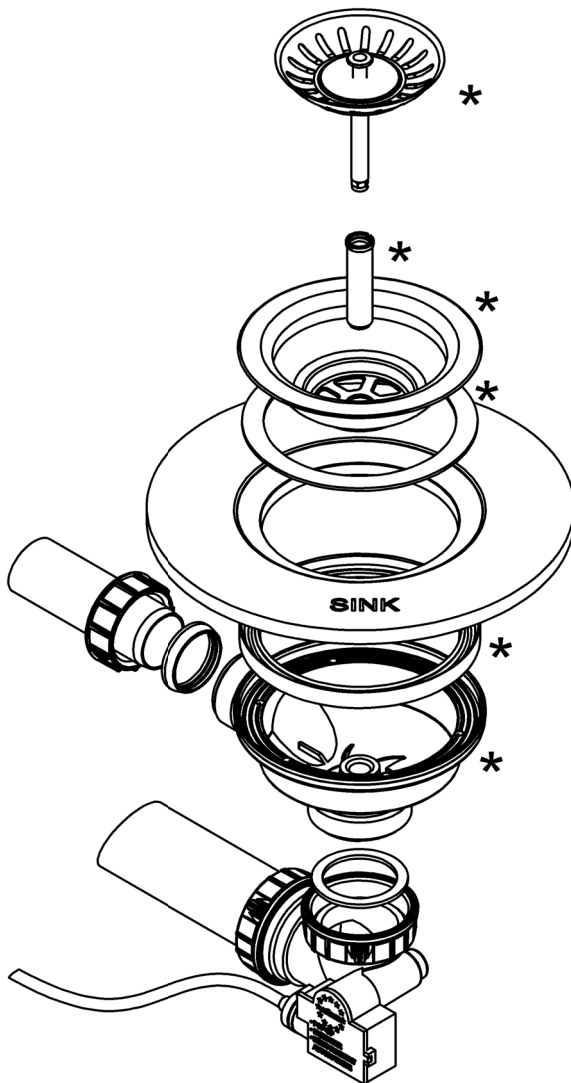
**REMOVE THE PARTS MARKED WITH AN  
ASTERISK AND REPLACE THEM WITH THE  
NEW PARTS SUPPLIED**



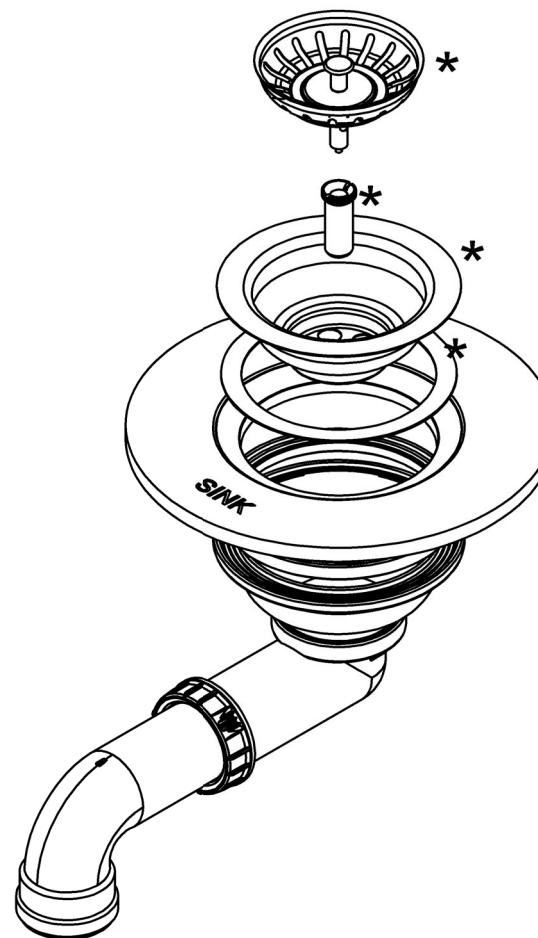
**STD  
MANUAL  
WASTE**



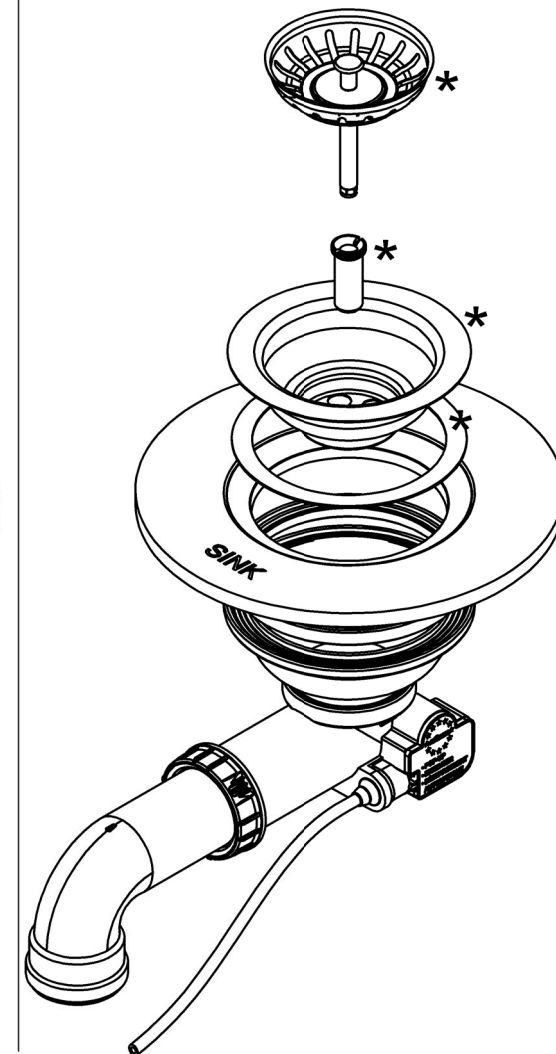
**STD  
AUTOMATIC  
WASTE**



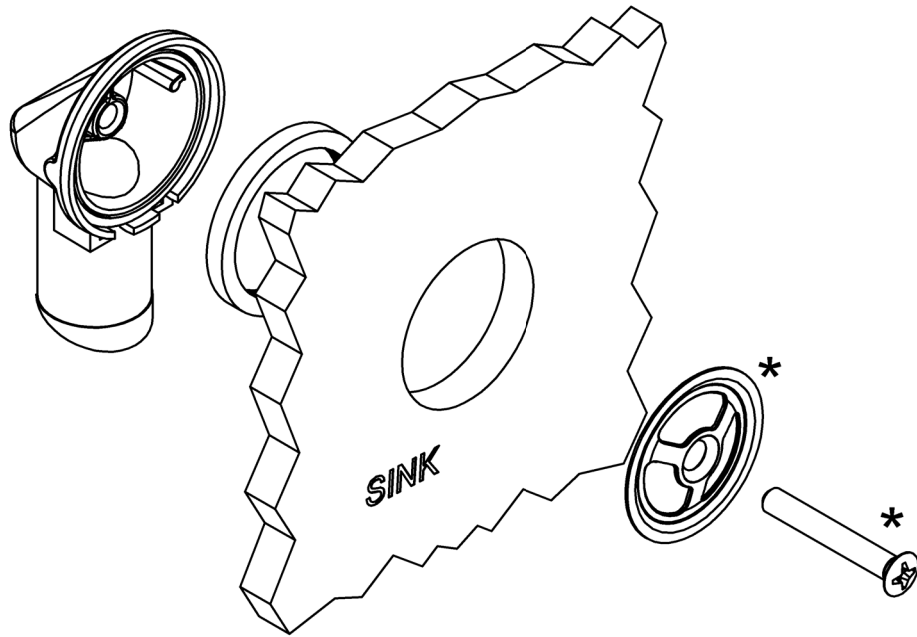
**CLIC-CLAC  
MANUAL  
WASTE**



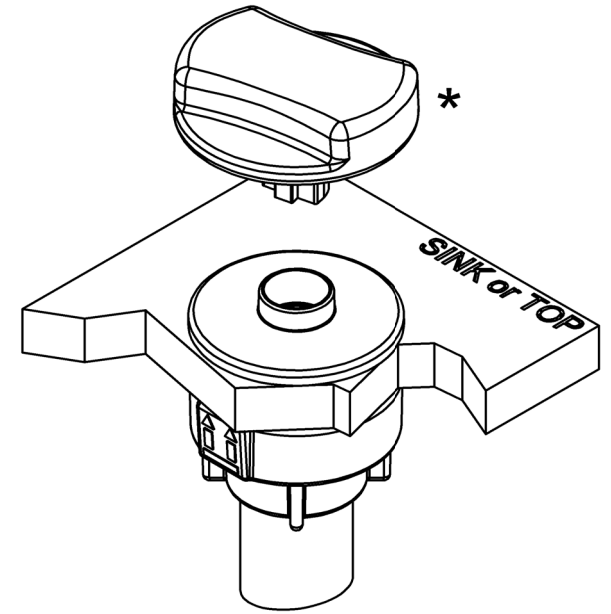
**CLIC-CLAC  
AUTOMATIC  
WASTE**



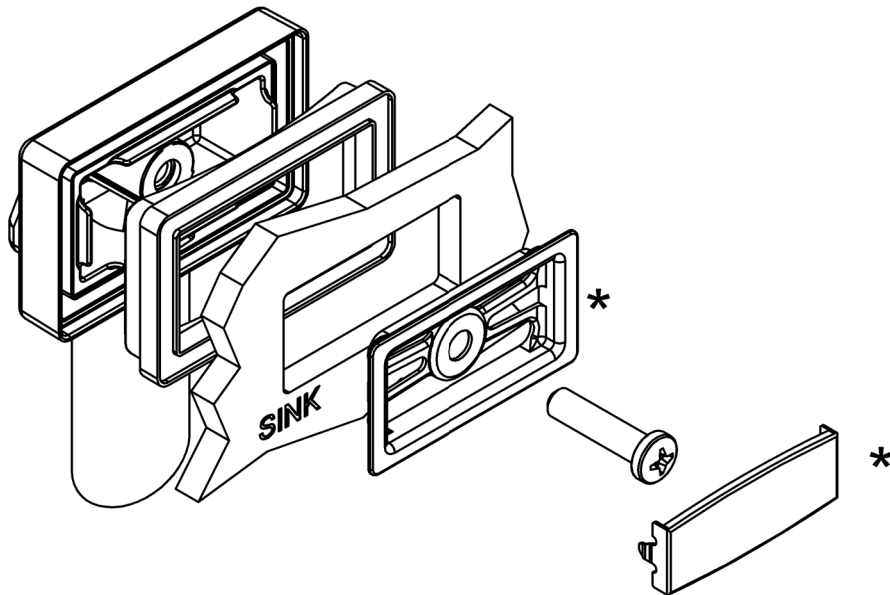
# ROUND OVERFLOW (vertical or horizontal)



# POP-UP (round or square)



# RECTANGULAR OVERFLOW



**REMOVE THE PARTS MARKED WITH AN ASTERISK AND REPLACE THEM WITH THE NEW PARTS SUPPLIED**