

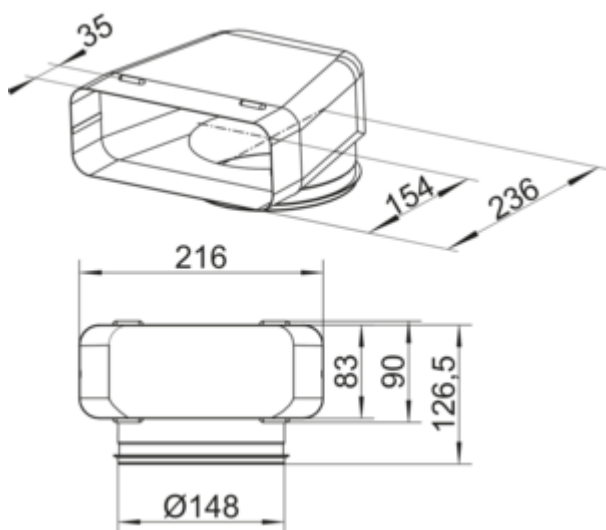
STEEL flow SF-UR 150 deflector 90°

Product number: 4061012

Configuration: galvanised steel

Configuration options

4061012 | galvanised steel



- ✓ Connecting element
 - ✓ plug-in system
- With guide vanes.
- suitable for flat ducts SF-VRO flex and SF-VRO
 - suitable for round pipes SR-R flex and SR-R
 - connection to a plastic round pipe possible

[more infos...](#)

Technical data

Article type	Connecting element	Surface/coating	galvanised
Brand	STEEL flow	Shape	angular
Height	126,5 mm	Outer diameter	150 mm
Width	216 mm	Connection diameter	148 mm
Material	galvanized steel	System dimension	150
Mounting/Fixing	plug-in system	Output drive	angular
Note	connection to a plastic round pipe possible	Ventilation system	COMPAIR STEEL flow [®] 150
Suitable for	suitable for flat ducts SF-VRO flex and SF-VRO suitable for round pipes SR-R flex and SR-R		

