

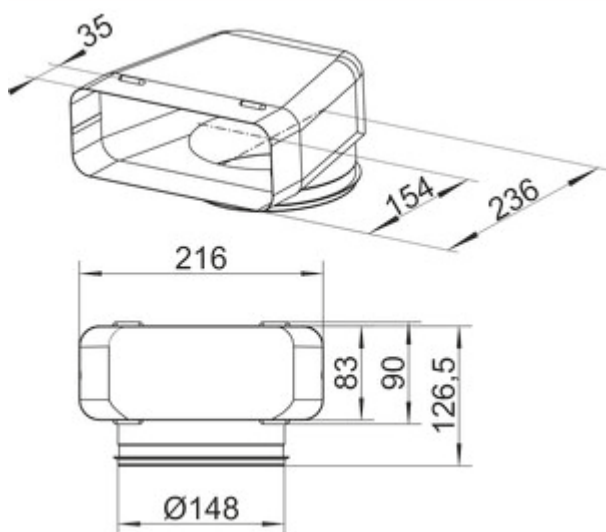
## STEEL flow SF-UR 150 deflector 90°

Product number: 4061012

Configuration: galvanised steel

### Configuration options

4061012 | galvanised steel



- ✓ Connecting element
  - ✓ plug-in system
- With guide vanes.
- suitable for flat ducts SF-VRO flex and SF-VRO
  - suitable for round pipes SR-R flex and SR-R
  - connection to a plastic round pipe possible

[more infos...](#)

### Technical data

|                 |   |                     |                                     |
|-----------------|---|---------------------|-------------------------------------|
| Article type    | Connecting element  | Surface/coating     | galvanised                          |
| Brand           | STEEL flow  | Shape               | angular                             |
| Warranty        | 5-year Naber warranty (except for wear parts); the general warranty conditions of Naber GmbH apply. | Outer diameter      | 150 mm                              |
| Width           | 216 mm  | Connection diameter | 148 mm                              |
| Material        | galvanized steel  | System dimension    | 150                                 |
| Mounting/Fixing | plug-in system  | Output drive        | angular                             |
| Note            | connection to a plastic round pipe possible   | Ventilation system  | COMPAIR STEEL flow <sup>®</sup> 150 |
| Suitable for    | suitable for flat ducts SF-VRO flex and SF-VRO<br>suitable for round pipes SR-R flex and SR-R       |                     |                                     |

