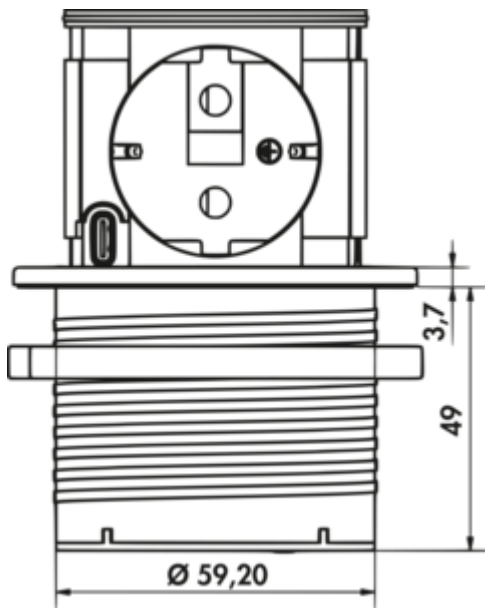


Piccolino UNO

Product number: 7053229

Configuration: cover copper coloured



Configuration options

- 7053225 | cover stainless steel
- 7053226 | cover black matt
- 7053227 | cover white matt
- 7053228 | cover gunmetal
- 7053229 | cover copper coloured

- ✓ Retractable socket element
- ✓ 1 x earthed plug socket
- ✓ USB-C 22 W

Socket element. Retractable. With 1 earthed plug socket, 1 USB Type-C charger, 22 watts. For installation in worktops.

- material plastic, black
- 1 x USB charger type C, 5 VDC, I_{A/I} out: 1100 mA
- 2000 mm mains connection line with Schuko plug
- drill Ø ca. 60 mm
- for panel thickness from 16 mm, mounted by screw ring
- cable outlet below



[more infos...](#)

Technical data

Article type	Socket element	Mains plug loosely enclosed	Yes
Height	47,50 mm	Colour bezel	copper coloured
Drilling diameter	60 mm	Colour socket	black
Width	67,80 mm	Height extended	48,5 mm
Material	plastic	Number of USB ports	1
Mains voltage	230 V/16 A	USB type	USB-C
Protection class	IP44	Type of socket element	Retractable socket element
Cable outlet	cable outlet below	Rated current	16 A
Mounting/Fixing	installation in the worktop	Number of sockets (total)	1
Note	can be retrofitted	Opening mechanism	Push-to-open
Certification	CE	Worktop thickness	from 16 mm
Length of the supply line (primary)	2.000 mm	USB version	1 x USB charger type A, 5 VDC, I _{A/I} out: 1000 mA
Installation depth	48 mm	smart charging	Yes
Version sockets	1 x earthed plug socket		

Recommendations

7052166 Hole saw, Ø 60 mm, for VersaDot Lite