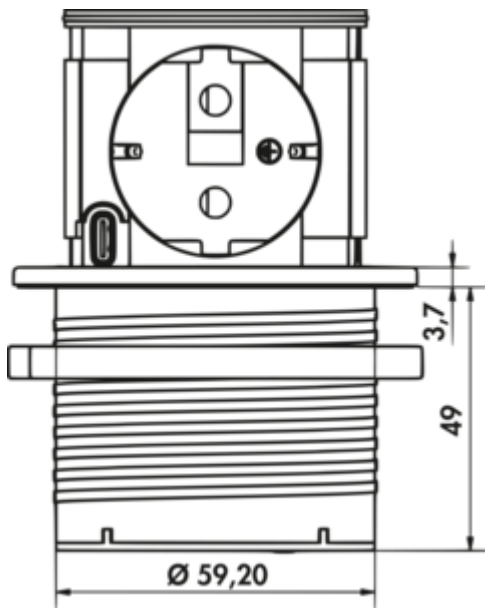


Piccolino UNO

Product number: 7053229

Configuration: cover copper coloured



Configuration options

- 7053225 | cover stainless steel
- 7053226 | cover black matt
- 7053227 | cover white matt
- 7053228 | cover gunmetal
- 7053229 | cover copper coloured

- ✓ Retractable socket element
- ✓ 1 x earthed plug socket
- ✓ Length of the supply line (primary): 2.000 mm

Socket element. Retractable. With 1 earthed plug socket, 1 USB Type-C charger, 30 watts. For installation in worktops.

- material plastic, black
- 1 x USB charger type C, 5 VDC, IA/I out: 1100 mA
- 2000 mm mains connection line with Schuko plug
- drill Ø ca. 60 mm
- for panel thickness from 16 mm, mounted by screw ring
- cable outlet below


[more infos...](#)

Technical data

Article type	Socket element	Flush mountable	Yes
Height	47,50 mm	Mains plug loosely enclosed	Yes
Drilling diameter	60 mm	Colour bezel	copper coloured
Width	67,80 mm	Colour socket	black
Material	plastic	Height extended	48,5 mm
Mains voltage	230 V/16 A	Number of USB ports	1
Protection class	IP44	USB type	USB-C
Cable outlet	cable outlet below	Type of socket element	Retractable socket element
Mounting/Fixing	installation in the worktop	Rated current	16 A
Note	can be retrofitted	Number of sockets (total)	1
Certification	CE	Opening mechanism	Push-to-open
Length of the supply line (primary)	2.000 mm	Worktop thickness	from 16 mm
Installation depth	48 mm	USB version	1 x USB charger type A, 5 VDC, IA/I out: 1000 mA
Version sockets	1 x earthed plug socket		

Recommendations

7052166 Hole saw, Ø 60 mm, for VersaDot Lite