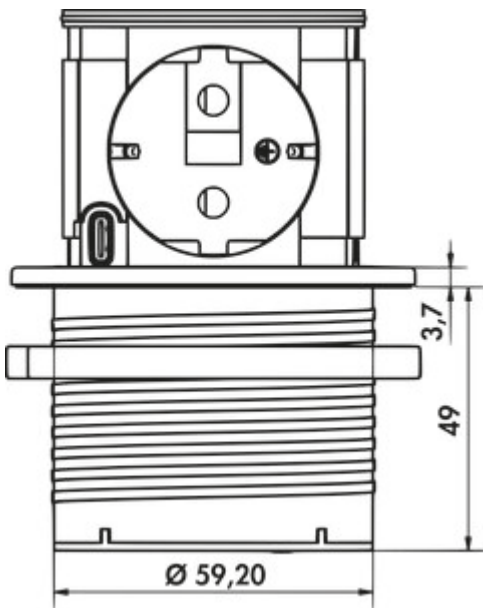


Piccolino UNO

Product number: 7053229

Configuration: cover copper coloured



Configuration options

7053225 | cover stainless steel

7053226 | cover black matt

7053227 | cover white matt

7053228 | cover gunmetal

7053229 | cover copper coloured

- ✓ Retractable socket element
- ✓ 1 x earthed plug socket
- ✓ Length of the supply line (primary): 2.000 mm

Socket element. Retractable. With 1 earthed plug socket, 1 USB Type-C charger, 30 watts. For installation in worktops.

- material plastic, black
- 1 x USB charger type C, 5 VDC, IA/I out: 1100 mA
- 2000 mm mains connection line with Schuko plug
- drill Ø ca. 60 mm
- for panel thickness from 16 mm, mounted by screw ring
- cable outlet below


[more infos...](#)

Technical data

Article type	Socket element	Flush mountable	Yes
Drilling diameter	60 mm	Mains plug loosely enclosed	Yes
Width	67,80 mm	Colour bezel	copper coloured
Material	plastic	Colour socket	black
Mains voltage	230 V/16 A	Height extended	48,5 mm
Protection class	IP44	Number of USB ports	1
Cable outlet	cable outlet below	USB type	USB-C
Mounting/Fixing	installation in the worktop	Type of socket element	Retractable socket element
Note	can be retrofitted	Rated current	16 A
Certification	CE	Number of sockets (total)	1
Length of the supply line (primary)	2.000 mm	Opening mechanism	Push-to-open
Installation depth	48 mm	Worktop thickness	from 16 mm
Version sockets	1 x earthed plug socket	USB version	1 x USB charger type A, 5 VDC, IA/I out: 1000 mA

Accessories

7052166	Hole saw, Ø 60 mm, for VersaDot Lite
---------	--------------------------------------

Recommendations

7052166 Hole saw, Ø 60 mm, for VersaDot Lite