

Duo colour change LED

Product number: 7061079

Configuration: single lamp without switch, stainless steel coloured



Configuration options

7061079 | single lamp without switch, stainless steel coloured

7061088 | single lamp without switch, black matt

- ✓ lit glass pane
- ✓ 2700 K warm white to 6500 K cold white

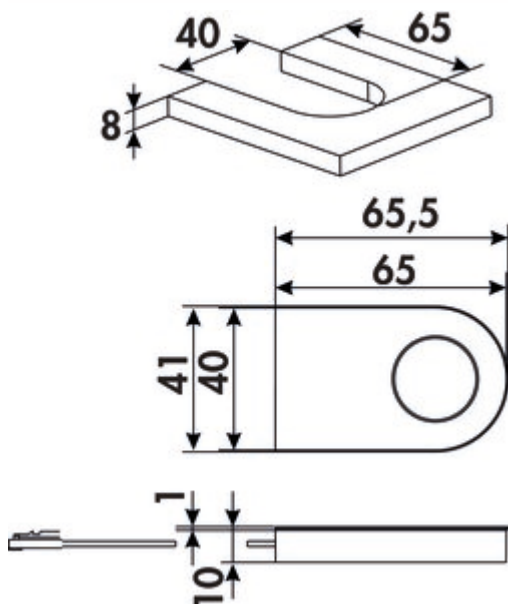
Single lamp, glass shelf lamp. For mounting on glass shelves with metal spring clip, LED light emission 6 LEDs upwards and 6 LEDs downwards.

Single lamp without switch

- 0.8 watt, 12 VDC
- 60 lumen/watt
- stepless control of light colour from 2700 K warm white to 6500 K cold white
- dimming function: brightness continuously dimmable
- 2000 mm supply line with mini-plug-in system
- panel thickness 6–10 mm
- beam angle 60°
- LIC/MEC LED system compatible

This product contains a light source of energy efficiency class E.

More information about the LIC/MEC LED system



[more infos...](#)

Technical data

Article type	lit glass pane	Colour temperature adjustable	stepless
Width	65,5 mm	Type of dimming	brightness continuously dimmable
Energy efficiency class	E	LIC system compatible	Yes
Mains voltage	for 12 VDC	Plug-in system	with mini plug-in system
Transformer / converter required	Yes, must be ordered separately	Swivel range	60 °
Protection class	III	Illuminant type	LED
Mounting/Fixing	attachable	Replaceable illuminant	No
Certification	CE F-sign	Light yield	60 lumen/watt
Switch	No	Cover colour	transparent
Length of the supply line (primary)	2.000 mm	Colour cable	black
Illuminant included	Yes	Number of light points	12
Dimmer	Yes	Design	lit glass pane
Suitable panel thickness	6–10 mm	Dimming function (composite)	Yes, brightness continuously dimmable
Housing colour	stainless-steel coloured	With spring clip for attaching to glass shelves	Yes
Colour temperature	2700 K warm white to 6500 K cold white	Illuminant power	0.8 watts

Accessories

7061049	LED connection line, Connecting element, white, L 2000 mm
7061286	FW function converter, module 2 (radio), 15 W, 4-way distributor
7061271	FW function converter, module 2 (radio), 30 W, 6-way distributor
7061273	FW function converter, module 2 (radio), 60 W, 6-way distributor
7061287	FW function converter, module 3 (Bluetooth + radio), 15 W, 4-way distributor
7061281	FW function converter, module 3 (Bluetooth + radio), 30 W, 6-way distributor
7061283	FW function converter, module 3 (Bluetooth + radio), 60 W, 6-way distributor
7061285	1-channel colour change remote control, white
7061284	230 volt connecting line, Connection line/element, L 300 mm, white
7061279	230 volt connecting line, Connection line/element, L 1000 mm, white
7061244	Distributor 12 V, Distributor, black
7061403	MEC Driver LED converter, 60/72 W, 12/24 V
7061426	MEC Driver LED 1-channel module radio/ZigBee, Accessory, 12 V
7061428	MEC Driver LED 4-channel module radio/ZigBee, Accessory, 12 V
7061431	MEC Driver LED remote control 1+4 channel ZigBee, white