

F-bion 125 deflector 90°

Product number: 4033031
 Configuration: white

Configuration options

4033031 | white

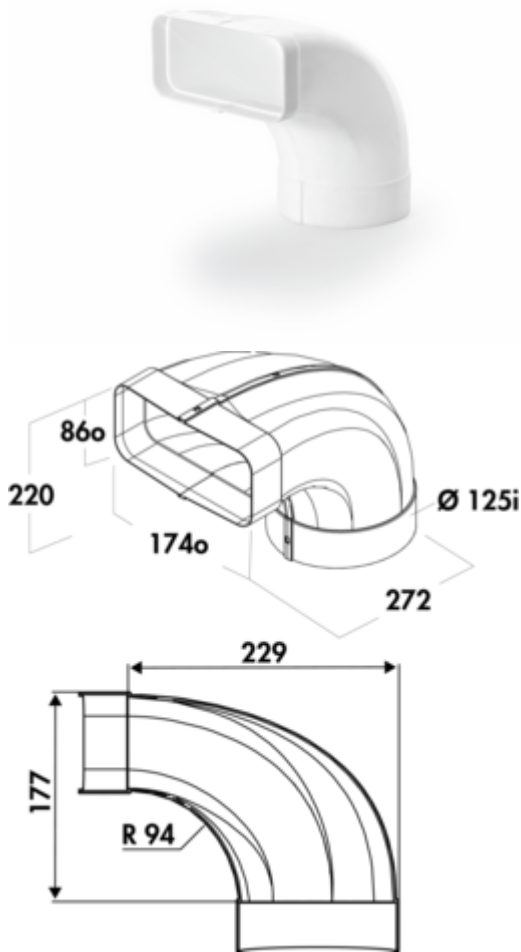
✓ Connecting element

✓ Plug-in system for subsequent gluing

Energy efficient solution for extremely high performance hoods.

For direct hood connection with integrated sleeve.

For the installation, please note the space needed due to the component size!



[more infos...](#)

Technical data

Article type	Connecting element	Shape	angular
Height	220 mm	Outer diameter	125 mm
Width	272 mm	System dimension	125
Material	Polystyrene	Output drive	angular round
Mounting/Fixing	Plug-in system for subsequent gluing	Ventilation system	COMPAIR flow 125
Note	For the installation, please note the space needed due to the component size		

