

F-bion 125 deflector 90°

Product number: 4033031

Configuration: white

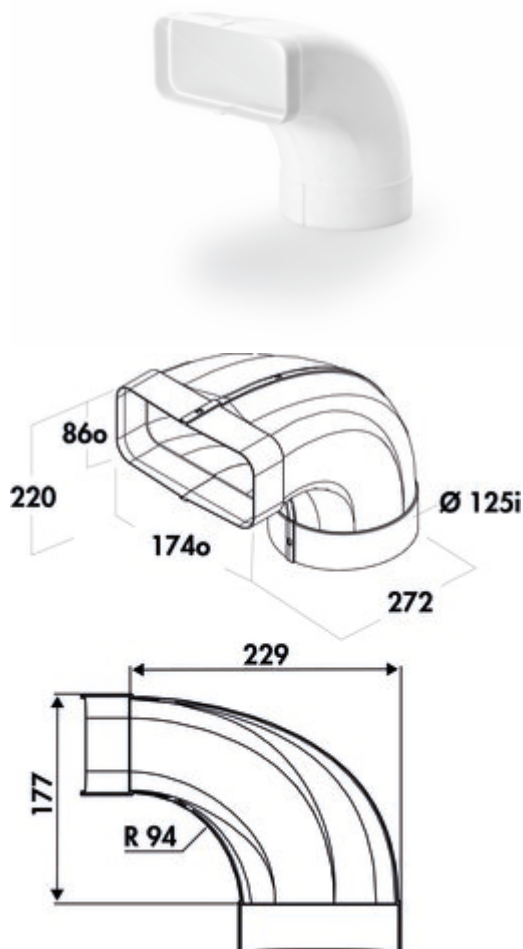
Configuration options

4033031 | white

- ✓ Connecting element
- ✓ Plug-in system for subsequent gluing

Energy efficient solution for extremely high performance hoods.
For direct hood connection with integrated sleeve.

For the installation, please note the space needed due to the component size!



[more infos...](#)

Technical data

Article type	Connecting element	Shape	angular
Width	272 mm	Outer diameter	125 mm
Material	Polystyrene	System dimension	125
Mounting/Fixing	Plug-in system for subsequent gluing	Output drive	angular round
Note	For the installation, please note the space needed due to the component size	Ventilation system	COMPAIR flow 125

