

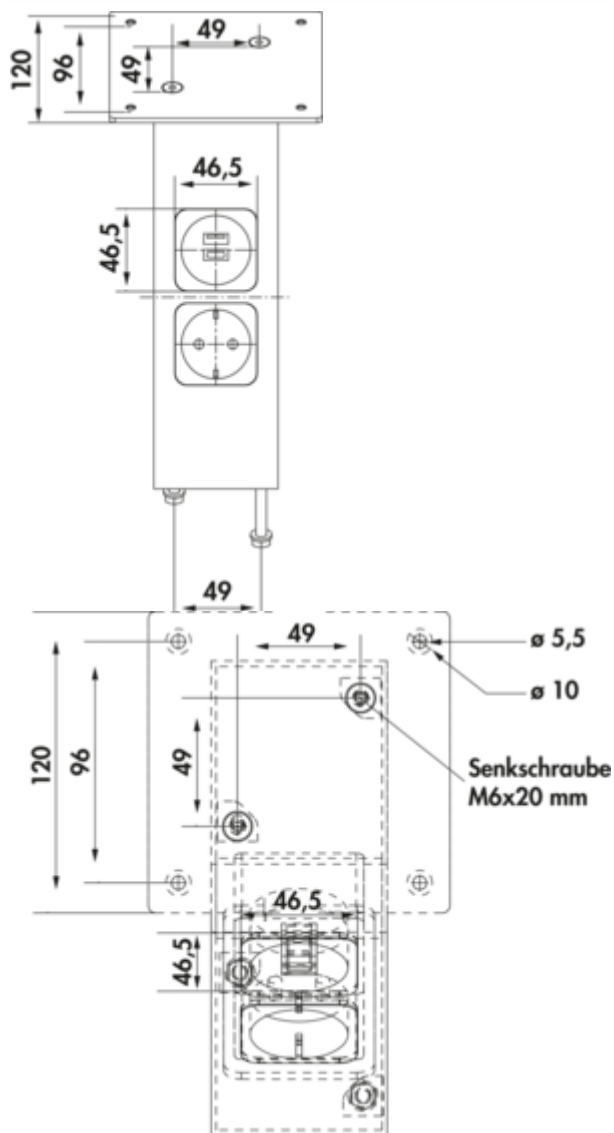
Connero 3 slanted

Product number: 3021196

Configuration: black matt, H 170 mm

Configuration options

3021196 | black matt, H 170 mm



- ✓ Console
- ✓ square
- ✓ slanted

Console. With mounting plat.

— slanted

— aluminium profile 70 x 70 mm

— with 1 integrated earthed plug socket and USB A/C charging function (USB A Quick Charge 3.0/USB C Power Delivery 3.0)

— supply line 1500 mm, 3-wire, free ends

— connection through the worktop

— max. load per pair approx. 60 kg given even distribution, max. spacing of the consoles of 900 mm and max. projection of the plates of 250 mm



more infos...

Technical data

Article type	Console	Dimensions profile	70 x 70 mm
Height	170 mm	Carrying capacity	max. load per pair approx. 60 kg given even distribution, max. spacing of the consoles of 900 mm and max. projection of the plates of 250 mm
Width	70 mm	Support element version	slanted
Properties	cannot be shortened	Number of integrated SCHUKO sockets	1
Note	USB A Quick Charge 3.0 USB C Power Delivery 3.0	Number of USB ports	3
Shape	square	USB type	USB-A USB-C
Length of the supply line (primary)	1.900 mm	USB version	USB A Quick Charge 3.0 USB C Power Delivery 3.0
With mounting plate	Yes		

